



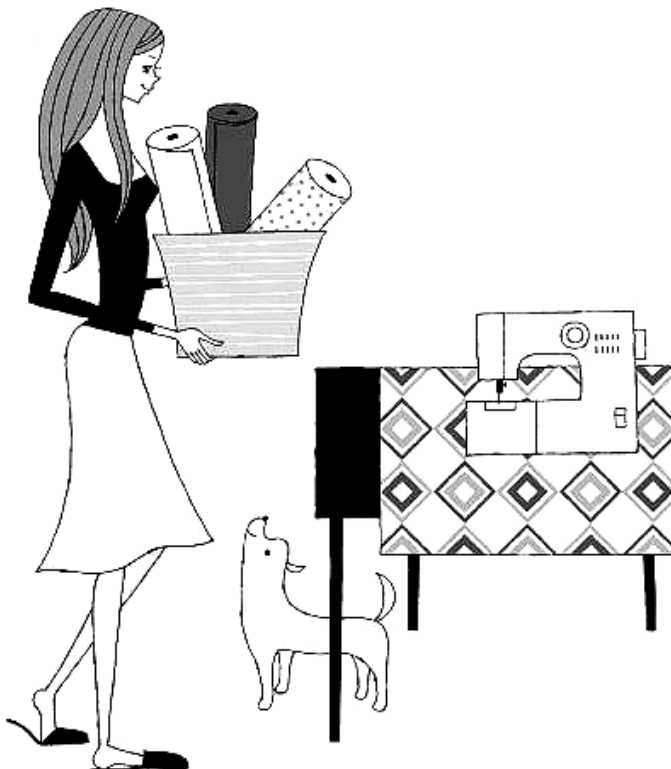
TOYOTA

SP200 Series

HOME-USE SEWING MACHINE

INSTRUCTION MANUAL

- Read this manual carefully before use and always follow the instructions.
- Keep the manual in a convenient place for easy reference.
- If you give the sewing machine to someone else, also give them this instruction manual.



Contents

1 Before use (Be sure to read this section before use)

- Important safety instructions 3
- How to change the power plug 5
- Part names 6
- Part names and their functions 8
- Quick adviser 10
- How to operate foot controller 11

2 Sewing preparations

- Connecting the power 12
- Winding the lower thread 14
- Threading the lower thread 16
- Threading the upper thread 18
- Using the needle threader 20
- Pulling up the lower thread 22
- Application of each stitch pattern 23
- Changing the presser foot 26
- Changing the needle 28
- Relationship between the needle, thread and fabric, and adjusting the thread tension 29

3 Sewing

- Straight stitching and reverse sewing 30
- Zigzag sewing 34
- Adjusting thread tension 35
- Buttonhole sewing 36
- Overcasting 39
- Zipper insertion 40
- Blind hem stitching 42

4 Maintenance

- Feed dog and hook maintenance 44
- Changing light bulb 48
- Servicing double-insulated products (230V-240V) 49
- Notice about the incandescent lamp 49
- Troubleshooting 50

5 Others

- Recycling 53
- Specifications 54

1

Before use (Be sure to read this section before use)

Important safety instructions

These safety instructions are designed to prevent danger or damage arising from the incorrect operation of the machine. Read carefully and always follow the instructions.

Explanation of “ ⚠ Warning ” and “ ⚠ Caution ”



Warning

An incorrect operation could result in death or serious injury.



Caution

An incorrect operation could result in an injury or damage to the machine.

Symbol explanation



Do not touch.



Prohibited actions



Required actions



Remove the power plug from the outlet.



Warning



Use an AC 220 to 240 V power source.

Not doing so could cause an electric shock or a fire.



Do not damage the power cord, modify it, bend it excessively, jerk it or twist it.

Doing so could cause an electric shock or a fire.

If the power cord is damaged, it must be replaced by a special cord or assembly available from the manufacturer or its service agent.



Do not use outdoors.

Doing so could cause an electric shock or a fire.



Do not operate where aerosol (spray) products are being used or where oxygen is being administered.

Doing so could cause a fire.



Do not repair, disassemble or modify except what is mentioned in the instruction manual.

Doing so could cause an electric shock, a fire or an injury.

1

Before use (Be sure to read this section before use)



Caution



Be sure to close the bobbin case cover before operating the sewing machine.
Not doing so could cause an injury.



When the machine is not in use it should be stored safely, not on the floor as protruding parts could cause injury if a person fell on the machine.
Not doing so could cause an injury.



Before changing the needle or threading the lower thread or upper thread, use the main power switch to turn off the sewing machine.
Not doing so could cause an injury.



Do not look away from the needle while operating the sewing machine.
If the needle breaks it could cause an injury.



Do not touch moving parts such as the needle, take-up lever or handwheel.
Doing so could cause an injury.



Do not place your hand or fingers under the needle.
Doing so could cause an injury.



Do not use when young children are near the machine.
Children shall not play with the machine as they could touch the needle and be injured.



When leaving the sewing machine after using it, use the main power switch to turn off the sewing machine, and then remove the power plug from the outlet.
Not doing so could cause an injury.



Before using the sewing machine make sure that the presser foot holder clamp screw, needle clamp screw and needle plate screw are firmly tightened, and that the presser foot is properly set in the presser foot holder.
Not doing so could cause an injury.



Do not perform the following actions.
Doing so could cause an injury.

- Sewing without lowering the presser foot.
- Sewing while the needle is incorrectly installed.
- Using a bent needle.
- Sewing while jerking the fabric.
- Moving the pattern selection dial while sewing.

 Caution


Do not operate on an unstable surface such as a sofa or a bed.

If the sewing machine falls down, it could cause an injury or damages to the machine.



Do not drop or insert any foreign objects into any openings such as opening space when you remove the face cover and / or the outer casing space of bobbin case.

Doing so could cause an injury or damages to the machine.

The machine can be used by, children aged from 8 years and above and persons with reduced physical, sensory or mental capabilities or lack of experience and knowledge, only if they are supervised or have been given proper instructions concerning use of the machine in a safe way and fully understand the hazards involved.

UK ONLY

IMPORTANT

PLEASE READ CAREFULLY

How to change the power plug

 Warning


When you change the power plug or cord, do not repair, disassemble or modify except at the authorised dealer or service centre.

Doing so could cause an electric shock or a fire



If for any reason the power plug for this product is removed it should be immediately disposed of safely and not stored anywhere where it could be inadvertently used again.

Doing so could cause an electric shock or a fire

The wires in this mains lead are coloured in accordance with the following code:

BLUE-NEUTRAL BROWN-LIVE (OR ACTIVE)

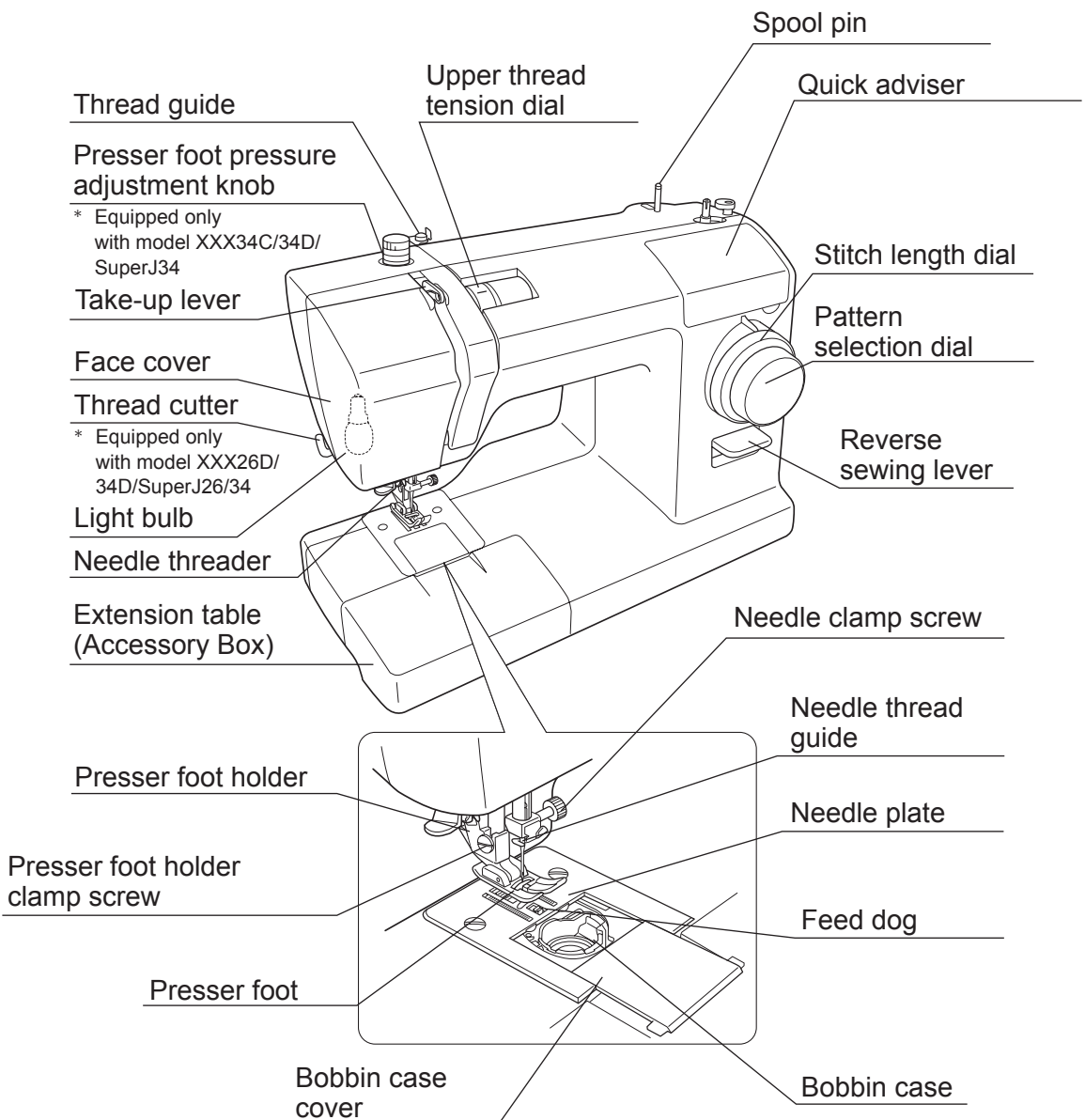
As the colours of the mains lead of this appliance may not correspond with the coloured markings identifying the terminals in your plug - PROCEED AS FOLLOWS:

The earth plug pin is unnecessary. As the machine is designed under double insulation structure, the earth wire is removed from the machine. The wire coloured BROWN must be connected to the terminal marked L or A or coloured RED. The wire coloured BLUE must be connected to the terminal marked N or coloured BLACK. Neither core is to be connected to the earth terminal of a three-pin plug.

Part names

This manual provides descriptions on operating procedures for two sewing machine models.

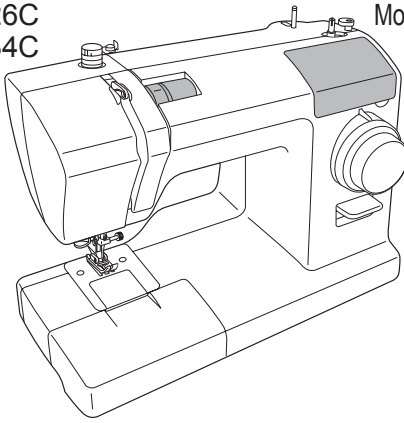
Normally, descriptions will apply to both models; however, descriptions that apply to only one of the models will be indicated with "XXX26C/XXX34C" or "XXX26D/34D/SuperJ26/34".



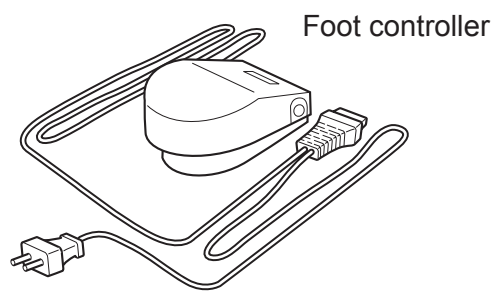
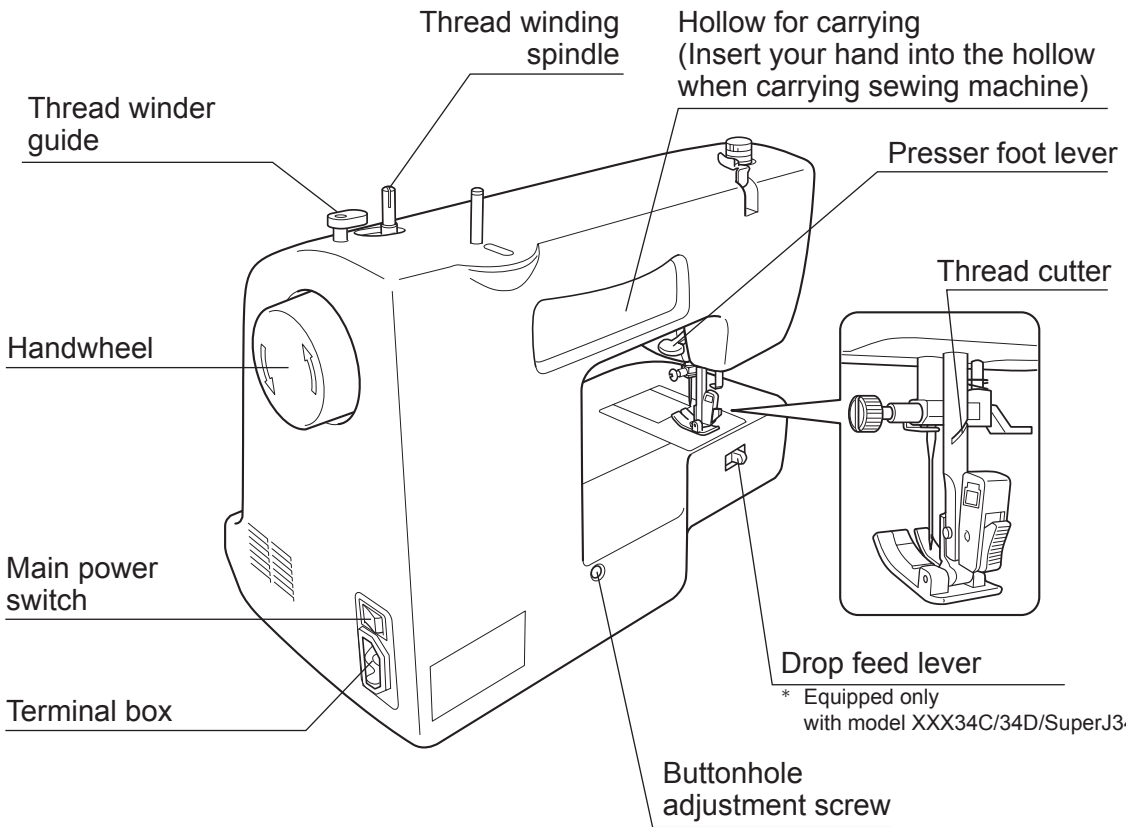
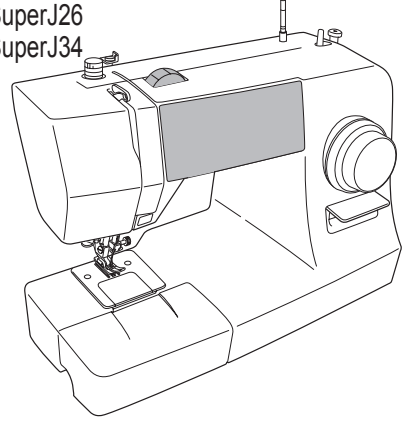
1

Before use (Be sure to read this section before use)

Model XXX26C
XXX34C



Model XXX26D/SuperJ26
XXX34D/SuperJ34

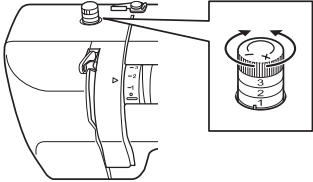


Part names and their functions

The various parts of the sewing machine have the functions described below.

Presser foot pressure adjustment knob

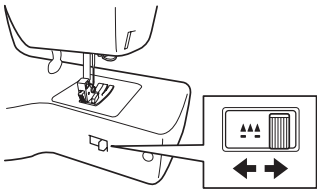
* Equipped only with model XXX34C/34D/SuperJ34



- By turning this knob, the amount of pressure applied by the presser foot can be adjusted.
- Turning the knob toward “-” reduces the amount of pressure applied by the presser foot.
- For best results when sewing stretch or thin fabrics, slightly reduce the pressure.
- Normally, sew with the knob set to “3”.

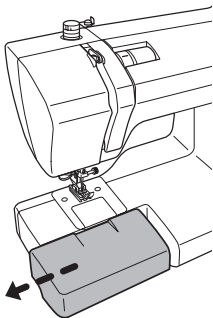
Drop feed lever

* Equipped only with model XXX34C/34D/SuperJ34



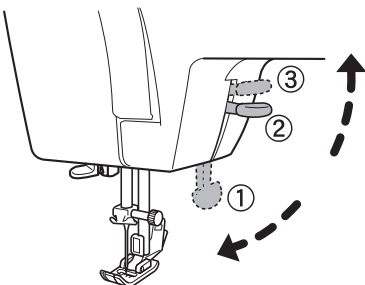
- Lower the feed dog when doing free motion sewing e.g. free motion embroidery or quilting.
- During normal sewing, move the lever to the right to raise the feed dog.
- When doing free motion sewing, move the drop feed lever to the left to lower the feed dog.

Extension table (Accessory Box)

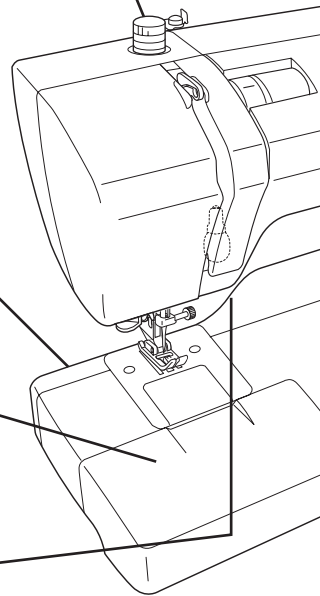


- Pull out the extension table (accessory box) in the direction of the arrow.

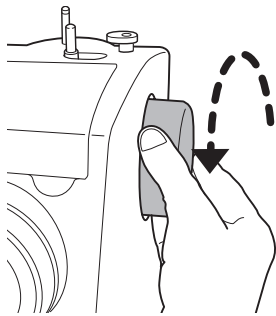
Presser foot lever



- When sewing, lower the presser foot lever to lower the presser foot. (Position ①)
- When inserting fabric, lift up the presser foot lever to raise the presser foot. (Position ②)
- The presser foot can be raised even higher by raising the presser foot lever to position ③. Since the presser foot lever does not remain in this position, hold it in place when inserting the fabric. This position is useful when sewing thick fabric.



Handwheel



- Use the handwheel to manually raise and lower the needle.

Note:

Always turn the handwheel towards yourself (in the direction of the arrow).

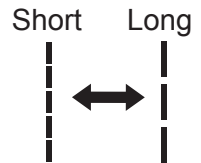
If the handwheel is turned in the opposite direction, the thread may become tangled.

For operating details, refer to pages 23 - 25.

Pattern selection dial and stitch length dial

Stitch length dial

Turn the dial to adjust the stitch length. If a larger number is aligned with the mark above the dial, the stitch length becomes longer. If a smaller number is aligned with the mark above the dial, the stitch length becomes shorter.



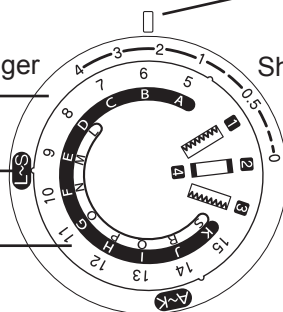
Mark above dial

Longer

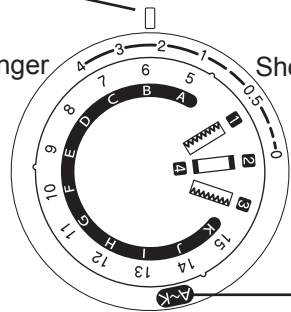
Shorter

Longer

Shorter



Model XXX34C/34D/SuperJ34



Model XXX26C/26D/SuperJ26

Pattern selection dial

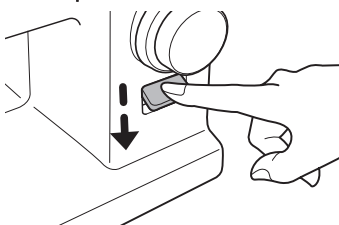
Turn the dial until the desired pattern is aligned with the mark above the dial.

To sew patterns A to K, turn the dial until **A~K** is aligned with the mark above the dial.

To sew patterns L to S, turn the dial until **L~S** is aligned with the mark above the dial.

Reverse sewing lever

- Press down the reverse lever, when sewing in reverse.
- Remove your finger from the reverse sewing lever to return to forward direction sewing.



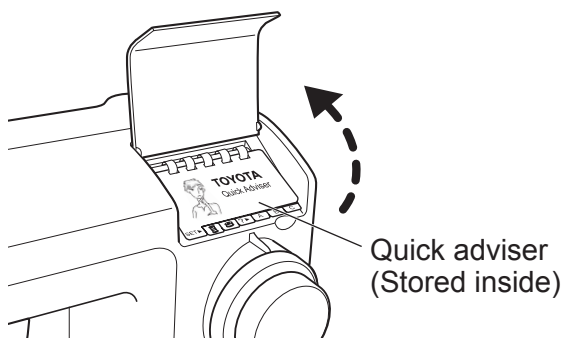
Quick adviser

The quick adviser (under the lid on the sewing machine) provides various descriptions such as basic machine operations.

● Accessing the quick adviser

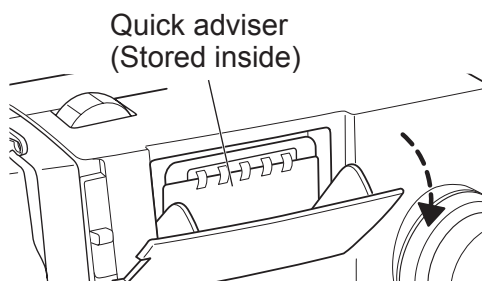
■ For model XXX26C/XXX34C

Flip up the lid to open it.



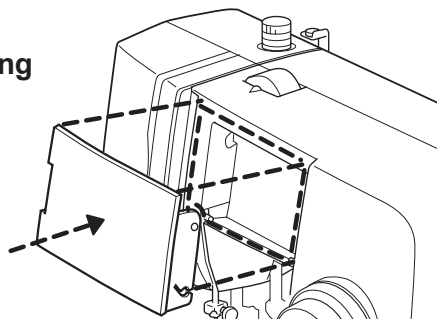
■ For model XXX26D/34D/SuperJ26/34

Pull the top of the lid towards yourself to open it.



Note:

- Do not pull down the top of the lid with extreme force. The lid may break.
- If the lid has been removed from the machine, fit the lid into the corresponding area of the machine, and then push it straight in until it snaps into place.



How to operate foot controller

! Caution



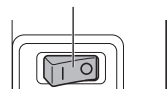
Be sure to use the main power switch to turn off the sewing machine before connecting the foot controller. Not doing so could cause an injury.

■ Operation

1

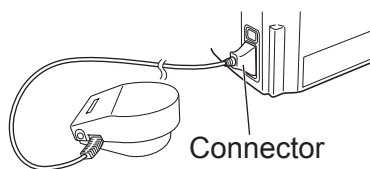
Press the “○” side of the main power switch to turn off the sewing machine.

Main power switch



2

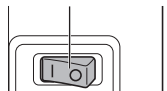
Insert the power cord connector into the terminal box on the machine.



3

Press the “|” side of the main power switch to turn on the sewing machine.

Main power switch

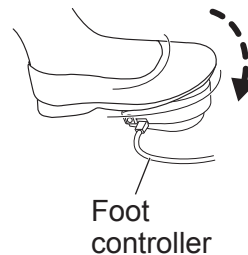


4

Step on the foot controller to operate the sewing machine.

The more you press the foot controller, the faster the machine runs.

Release the foot controller to stop the machine.



2

Before use (Be sure to read this section before use)

2

Sewing preparations

Connecting the power

⚠ Warning



Do not touch the power plug with wet hands.
Doing so could cause an electric shock.

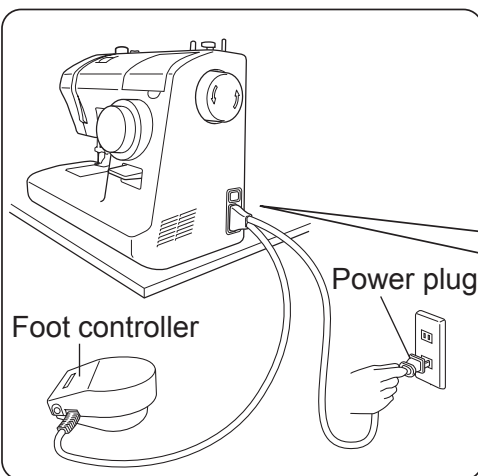


Hold the power plug, to remove or insert into the power outlet.
Not doing so could damage the cord and cause an electric shock, fire or injury.

⚠ Caution



Before plugging in the power cord, use the main power switch to turn off the sewing machine.
Not doing so could cause an injury.



1

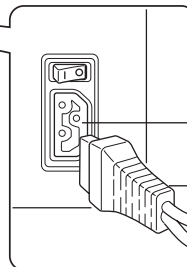
Prepare the foot controller.

2

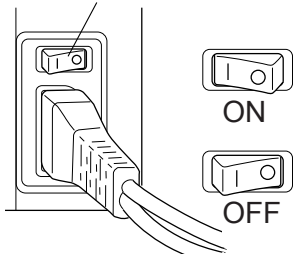
Insert the power cord connector into the terminal box.

3

Insert the power plug into the outlet.



Main power switch



4

Press the “|” side (power on) of the main power switch.

The power is turned on.

Memo

Winding the lower thread

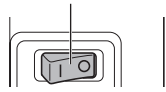
Note:
Prepare a
specially
designed bobbin.



Start

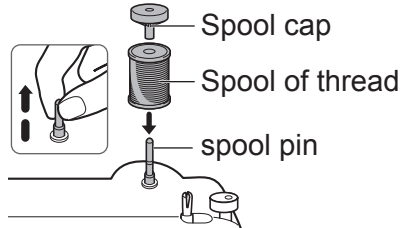
- 1** Turn off the sewing machine.

Main power switch



Complete

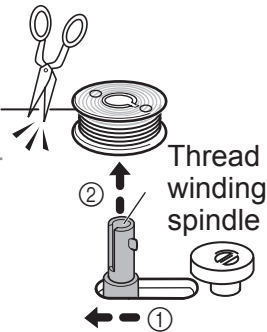
- 2** Pull up the spool pin.
Position the spool of thread and the spool cap on to the spool pin.



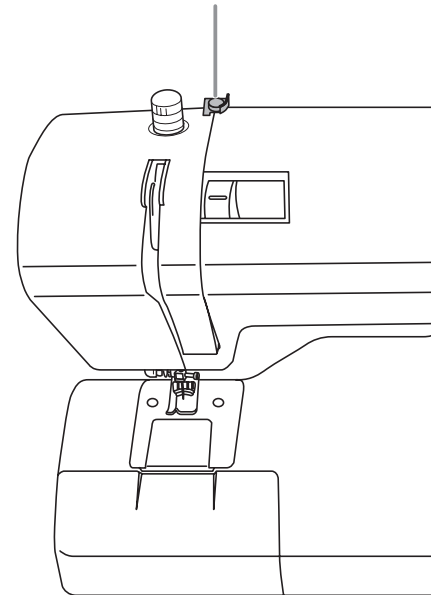
Thread guide (3)

- 10** ① Return the thread winding spindle by sliding it in the direction of the arrow.

Note
If the thread winding spindle is not returned, the needle does not move and sewing is not possible.

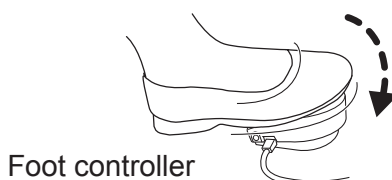


- ② Remove the bobbin from the thread winding spindle, and cut the thread.



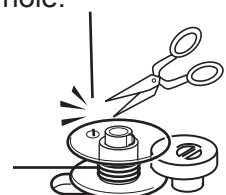
- 9** ① Press on the foot controller with your foot to continue winding the bobbin.

- ② When the bobbin winding becomes slow, release the foot controller to stop winding the bobbin.



- 8** Cut the excess thread above the bobbin hole.

* Cut the thread so that no excess extends from the bobbin hole.

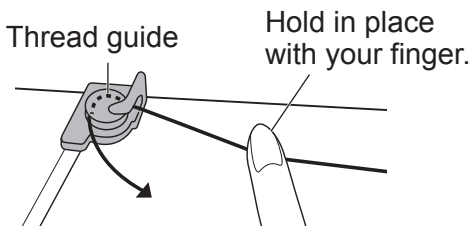


Caution

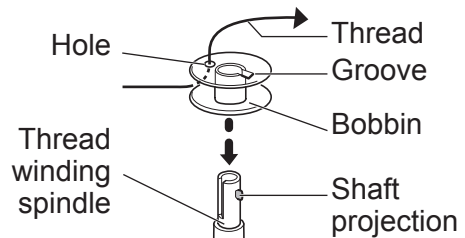


While the bobbin is being wound, do not touch the thread winding spindle or the handwheel.
Doing so could cause an injury.

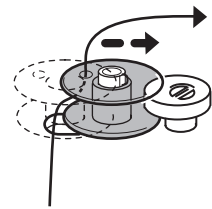
3 Pull the thread from the thread spool, and then hold it with one hand while passing it around the thread guide with the other hand, as shown.



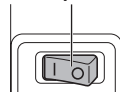
4 Pass the thread end through the hole in the bobbin as shown. Place the bobbin on the thread winding spindle so the groove aligns with the shaft projection.



5 Slide the thread winding spindle in the direction of the arrow until it snaps into place.

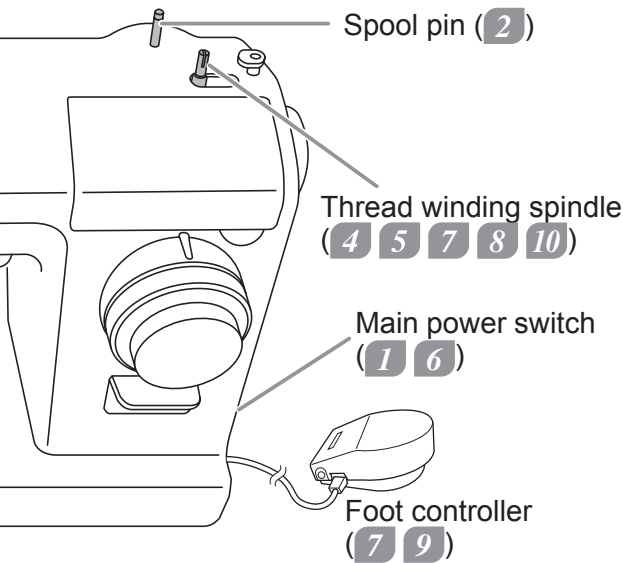
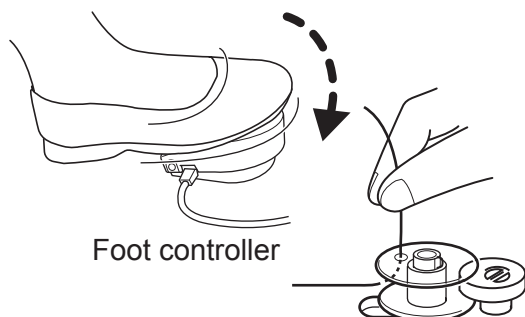


6 Turn on the machine.
Main power switch



7

- While holding the thread end, begin pressing on the foot controller with your foot.
- After the thread has been wound around the bobbin about 10 times, release the foot controller to stop winding.

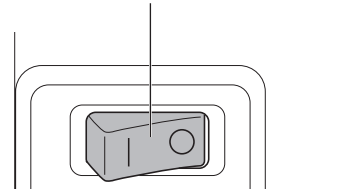


Threading the lower thread

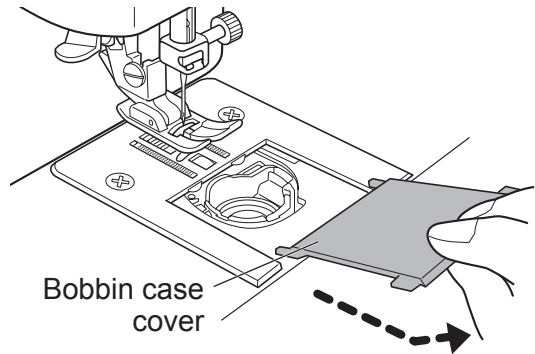
Open the bobbin case cover, and insert the bobbin into the bobbin case. If the bobbin is incorrectly inserted into the bobbin case, the stitching will not be sewn correctly.

1 Turn off the sewing machine.

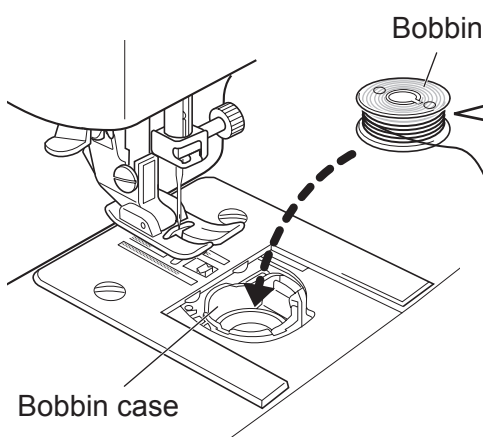
Main power switch



2 Pull the bobbin case cover towards yourself.



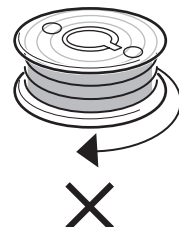
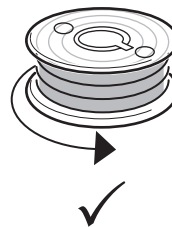
3 Insert the bobbin so that it rotates counterclockwise.



Thread unwinding direction

Counterclockwise

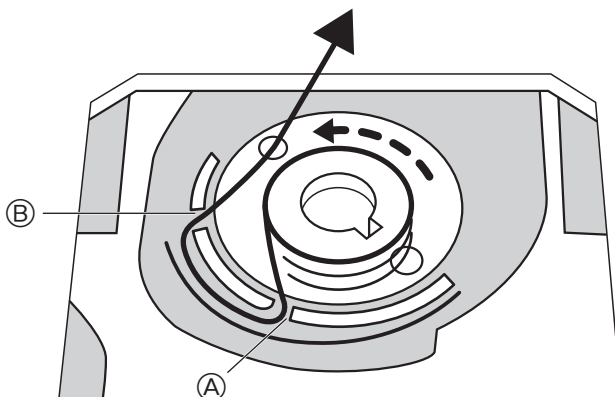
Clockwise



Check the orientation of the bobbin.

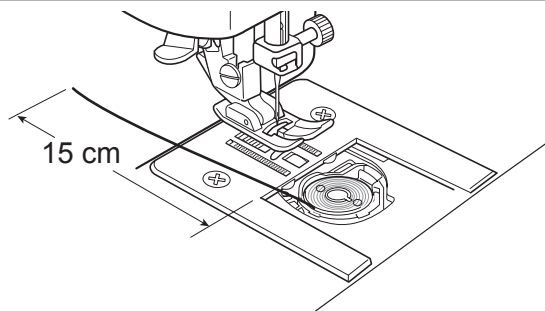
4

Pass the thread through (A), then (B), and then pull the thread to the rear, as shown below.



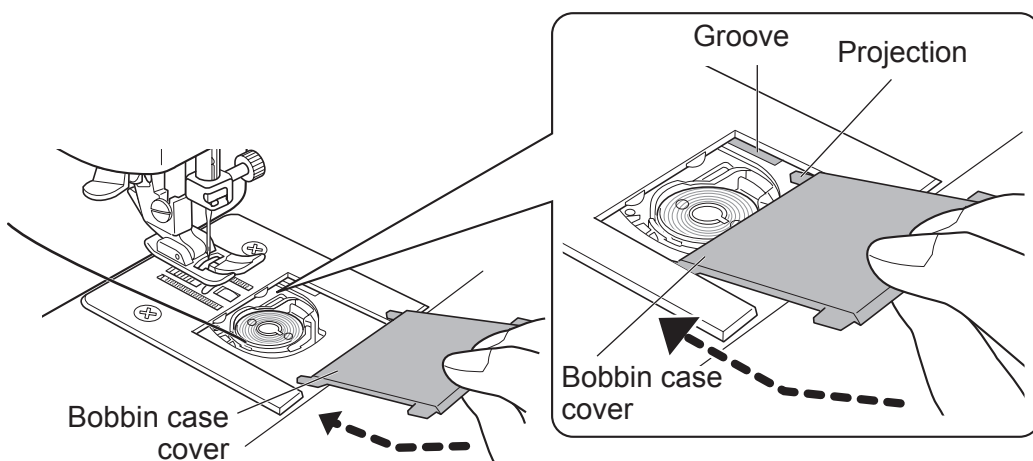
5

Pull out about 15 cm of thread to the rear.



6

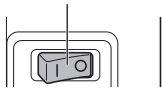
Fit the projections on the bobbin case cover into the race retainer grooves, and then push the bobbin case cover closed.



Threading the upper thread

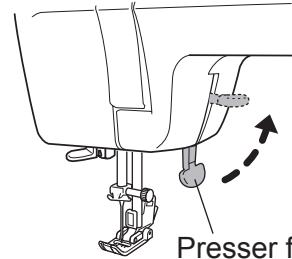
- 1** Turn off the sewing machine.

Main power switch



Start

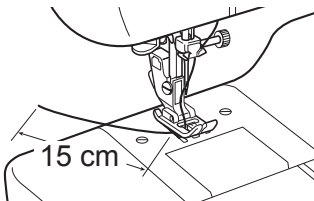
- 2** Raise the presser foot lever.



Presser foot lever

Complete

- 9** Pass the thread through the presser foot, and then pull out about 15 cm of thread to the rear.



15 cm

Thread guide (5)

Take-up lever (6)

Needle thread guide (7)

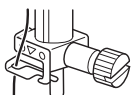
Eye of needle (8)

Presser foot (9)

Presser foot lever (2)

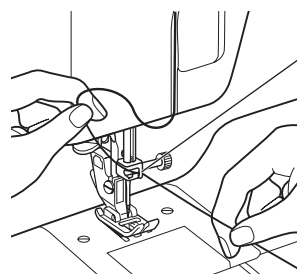
- 8** From the front, pass the thread through the eye of the needle.

* When using the needle threader, refer to page 20.



Eye of needle

- 7** Pass the thread through the needle thread guide.



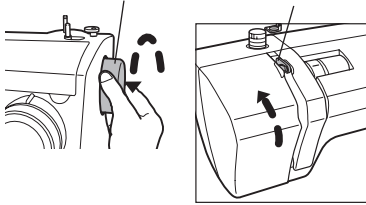
Needle thread guide

Needle thread guide

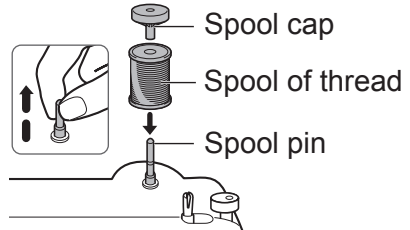
The thread can easily be passed through the needle thread guide by holding the thread in your left hand, then feeding the thread with your right hand, as shown.

- 3** Turn the handwheel towards yourself to raise the take-up lever.

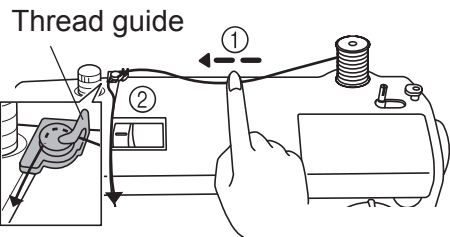
Handwheel Take-up lever



- 4** Pull up the spool pin. Position the spool of thread and the spool cap on to the spool pin.



- 5**
- ① Pull the thread from the thread spool, and hold it with one hand.
 - ② Pass the thread around the thread guide with the other hand, as shown.

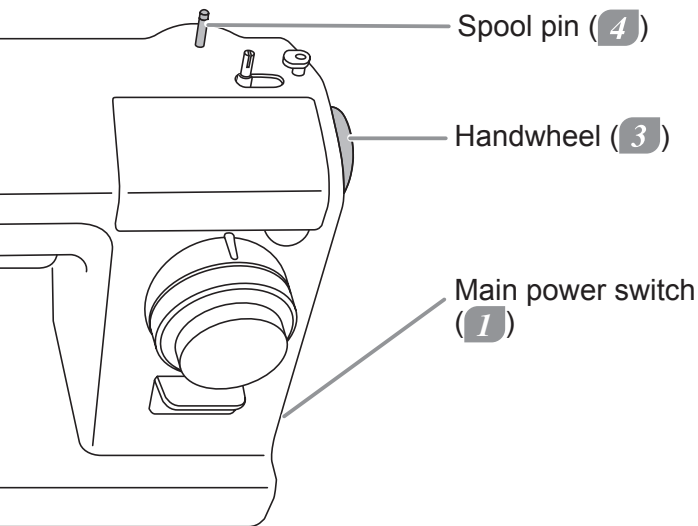
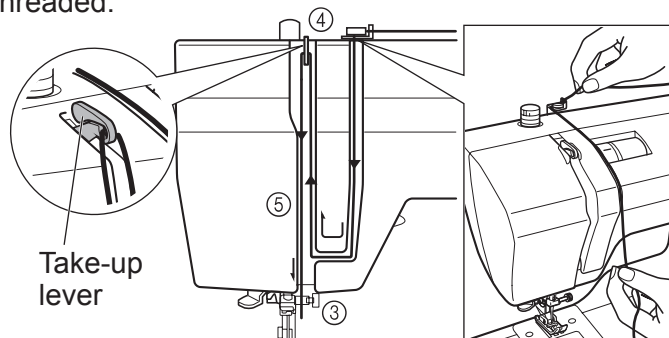


- 6**
- ③ Pull the thread down along the groove, and then pull it back up.
 - ④ Pass the thread through the take-up lever from the right.
 - ⑤ Pull the thread down along the groove.

Check that the take-up lever is correctly threaded.

Pass the thread in the order shown. (③ through ⑤)

The thread should be taut and secure.



Using the needle threader

⚠ Caution



Before using the needle threader, use the main power switch to turn off the sewing machine.

Not doing so could cause an injury.

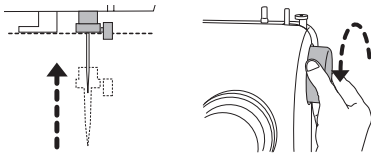
* Use sewing machine needles No. 11/75 to 16/100 with the needle threader. (Needle No 14/90 is included when the sewing machine is purchased.)

The needle cannot be threaded if the thread is too thick for the needle. For details on possible needle and thread combinations, refer to “Relationship between the needle, thread and fabric, and adjusting the thread tension” on page 29.

● Preparing to use the needle threader

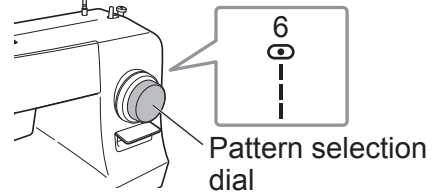
1 Turn the handwheel towards yourself until the needle is in its highest position.

* If the needle is not in its highest position, the needle cannot be threaded.

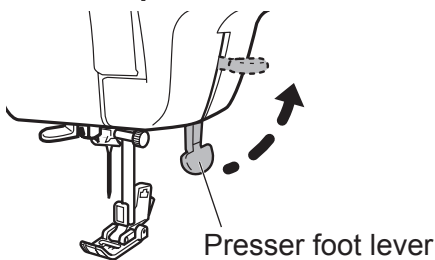


2 Turn the pattern selection dial to “6” (straight stitch).

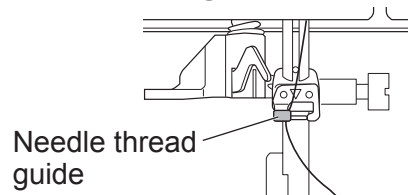
* Otherwise, the needle threader may not operate correctly and the needle may not be threaded.



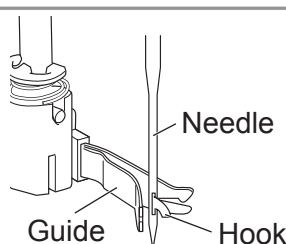
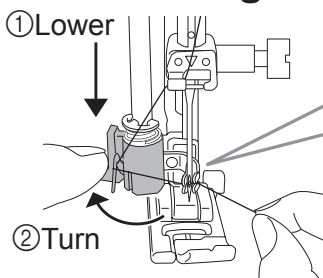
3 Raise the presser foot lever.



4 Check that the thread has been passed through the needle thread guide.



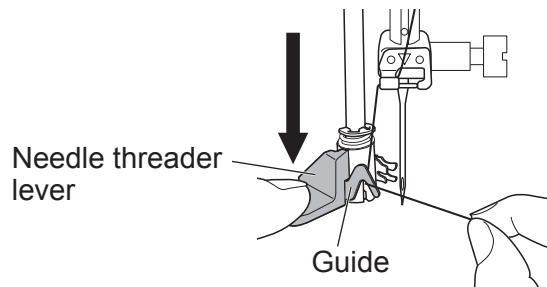
● Understanding the needle threader mechanism



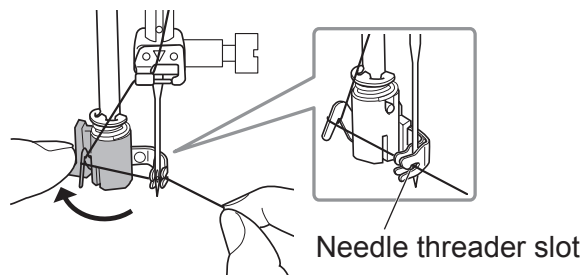
The hook is within the guide. The hook passes through the needle, catches the thread, then pulls the thread through the needle.

● Using the needle threader

- 1** While fully lowering the needle threader lever, hook the thread on the guide as shown in the diagram.

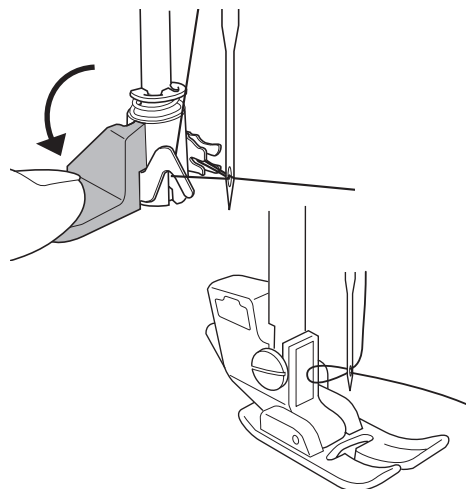


- 2** Fully turn the needle threader lever to the rear, and pull the thread through the needle threader slot.

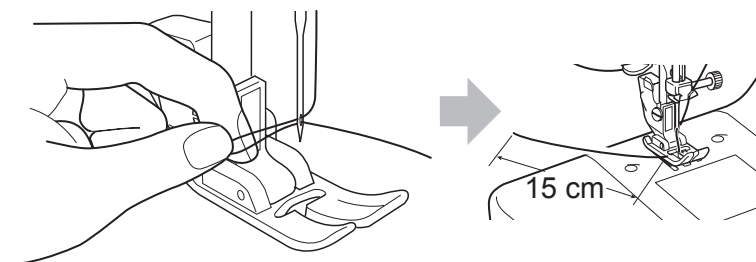


- 3**
- ① Slowly return the needle threader lever towards yourself as much as possible.
 - ② Check that the thread has passed through the eye of the needle.
 - ③ Release the needle threader lever while releasing the end of the thread.

* If the needle is not threaded, check that the needle has been raised to its highest position, and then repeat the procedure starting with step **1**.



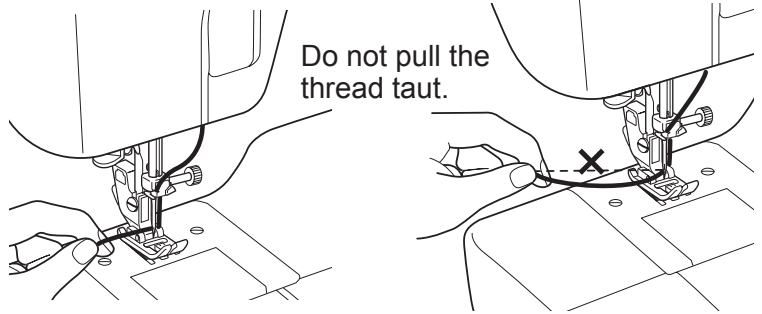
- 4** Pull the thread loop that formed behind the needle, and then pull about 15 cm of thread to the rear.



Pulling up the lower thread

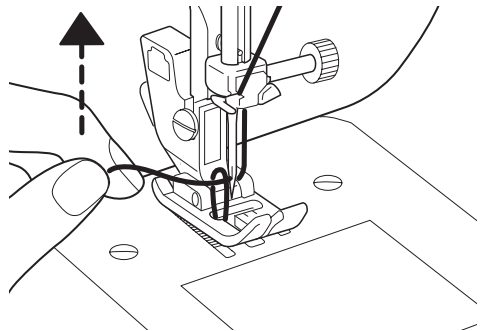
1

Raise the presser foot lever. Loosely hold the upper thread with your left hand, and then turn the handwheel towards yourself one full turn.



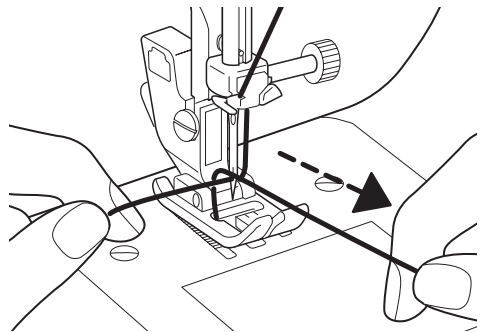
2

Lightly pull the upper thread with your left hand to pull up the lower thread.



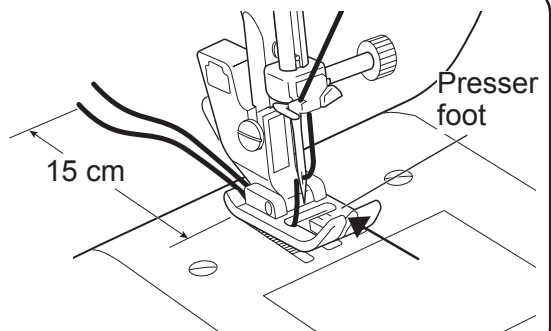
3

Pull out the lower thread to the front.



4

Align both threads, pass them through the groove (arrow) and under the presser foot, and then pull out about 15 cm of thread to the rear.



Application of each stitch pattern

⚠ Caution



Before turning the pattern selection dial, use the main power switch to turn off the sewing machine.

Not doing so could cause an injury.

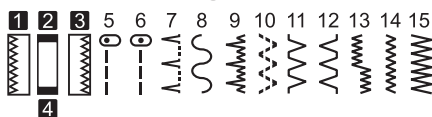


Do not turn the pattern selection dial while the needle is lowered.

Doing so could break the needle and cause an injury.

Turn the handwheel towards yourself to raise the needle to its highest position; otherwise, the pattern and stitch length may not be correctly adjusted.

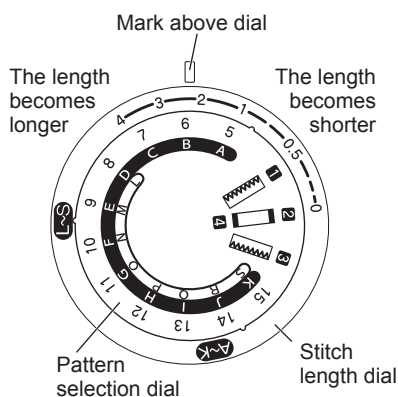
■ When sewing patterns 1 to 15



1 Turn the dial until the desired pattern aligns with the mark above the dial.

2 Turn the stitch length dial until the desired stitch length aligns with the mark above the dial.

* The stitch length can be set between 0 and 4.
Since the recommended range differs depending on the pattern, refer to the following table.



Pattern selection dial No.	Application	Stitch length dial (recommended setting)	Presser foot
1, 2, 3, 4	Buttonhole	0-4 (0.4~1)	Buttonhole foot
5	Straight stitch (left side)	0-4 (1~4)	Zigzag sewing foot
6	Straight stitch (center)	0-4 (1~4)	Zipper foot
	Zipper insertion	0-4 (2~4)	
7	Blind hem stitch	0-4 (1~2)	Blind stitch foot *
8	Decorative stitch	0-4 (1~4)	Zigzag sewing foot
9	Stretch fabric blind hem stitch	0-4 (1~2)	Blind stitch foot *

Pattern selection dial No.	Application	Stitch length dial (recommended setting)	Presser foot
10	Mending stitch Thin fabric overcasting	0-4 (1~2)	Zigzag sewing foot
11	Decorative stitch Overcasting	0-4 (1~2)	
12	Decorative stitch	0-4 (1~2)	Zigzag sewing foot
13	Decorative stitch	0-4 (1~2)	
14	Zigzag stitch (medium)	0-4 (0.5~2)	Overcasting foot *
15	Zigzag stitch (large) Overcasting	0-4 (1~4)	
	Overcasting	0-4 (1~4)	

* Included only with model XXX34C/34D/SuperJ34.
The zigzag sewing foot can also be used for 7, 9, 15.

⚠ Caution



Before turning the pattern selection dial, use the main power switch to turn off the sewing machine.
Not doing so could cause an injury.

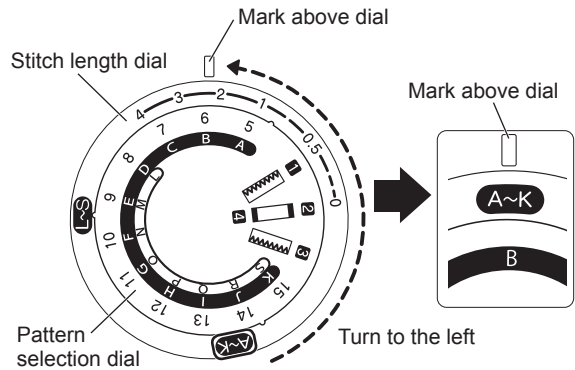
■ When sewing patterns A to K



1 Turn the dial until the desired pattern aligns with the mark above the dial.

2 Turn the stitch length dial until **A~K** aligns with the mark above the dial.

* The stitch length is fixed at 3 mm and cannot be adjusted.



Pattern selection dial No.	Application	Stitch length dial (recommended setting)	Presser foot
A	Reinforced straight stitch (left side)	A~K	Zigzag sewing foot
B	Reinforced straight stitch (center)		
C	Decorative stitch Double overlock		
D	Decorative stitch		
E	Decorative stitch		
F	Decorative stitch		

Pattern selection dial No.	Application	Stitch length dial (recommended setting)	Presser foot
G	Decorative stitch Overlock	A~K	Zigzag sewing foot
H	Decorative stitch Overlock		
I	Decorative stitch		
J	Reinforced zigzag stitch (medium)		
K	Reinforced zigzag stitch (large)		

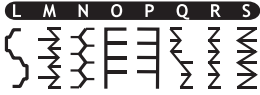
! Caution



Do not turn the pattern selection dial while the needle is lowered.
Doing so could break the needle and cause an injury.

■ When sewing patterns L to S

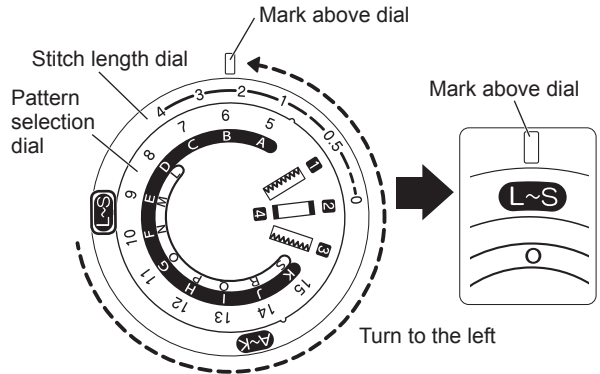
* Stitches L through S can be sewn only with model XXX34C/34D/SuperJ34

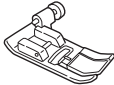


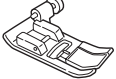
1 Turn the dial until the desired pattern aligns with the mark above the dial.

2 Turn the stitch length dial until **L~S** aligns with the mark above the dial.

* The stitch length is fixed at 3 mm and cannot be adjusted.



Pattern selection dial No.	Application	Stitch length dial (recommended setting)	Presser foot
L	Decorative stitch	L~S	Zigzag sewing foot 
M	Decorative stitch		
N	Fagoting		
O	Appliqué		
P	Appliqué		
Q	Decorative stitch		

Pattern selection dial No.	Application	Stitch length dial (recommended setting)	Presser foot
R	Decorative stitch	L~S	Zigzag sewing foot 
S	Decorative stitch		

Changing the presser foot

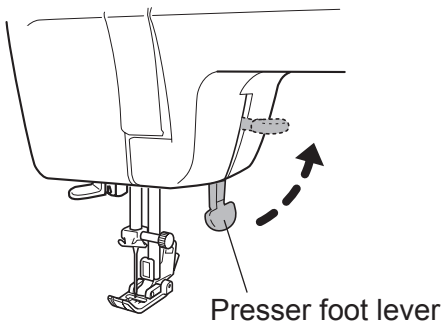
⚠ Caution



Before changing the presser foot, use the main power switch to turn off the sewing machine.
Not doing so could cause an injury.

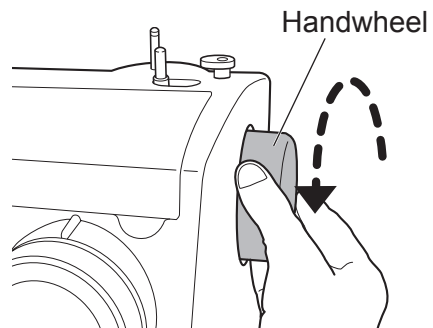
● Removal

1 Raise the presser foot lever.

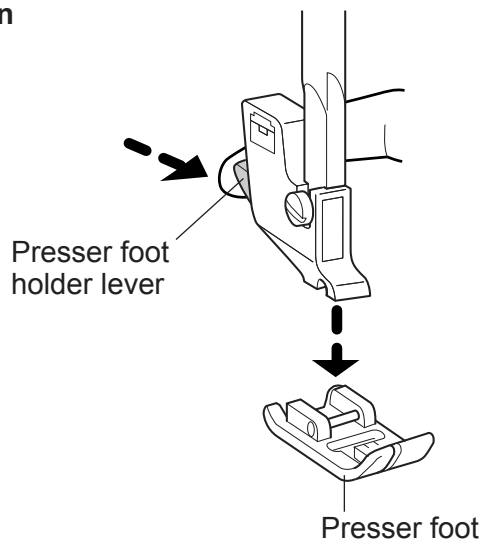


2 Turn the handwheel towards yourself to raise the needle.

Note:
Never turn in the wrong direction.



3 Press the presser foot holder lever in the direction of the arrow to release the presser foot.

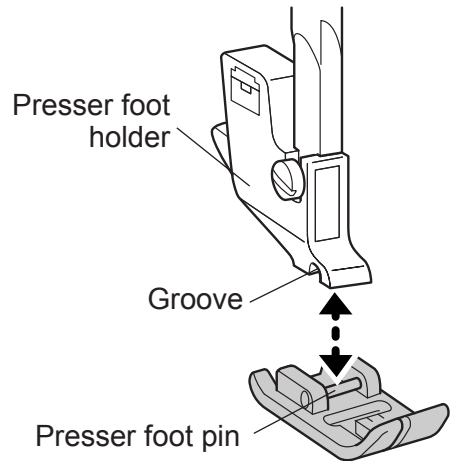


● Installation

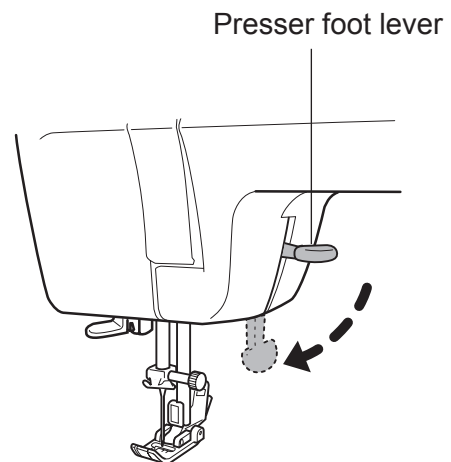
2

Sewing preparations

- 1 Position the presser foot pin directly below the groove in the presser foot holder.



- 2 Lower the presser foot lever to secure the presser foot.



Tip

In order to avoid losing the presser foot, we recommend storing the machine when it is not being used with the needle and the presser foot lowered.

Changing the needle

⚠ Caution



Before changing the needle, use the main power switch to turn off the sewing machine.

Not doing so could cause an injury.

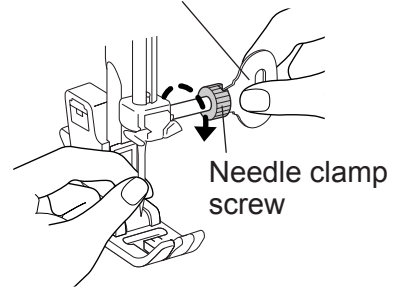
Broken needles are dangerous. Be sure to dispose of them in a safe place away from children.

Not doing so could cause an injury.

1 Turn the handwheel towards yourself to raise the point of the needle higher than the needle plate.

Screw driver for the needle plate

2 Hold the needle in one hand, loosen the needle clamp screw with the screw driver for the needle plate, and remove the needle.

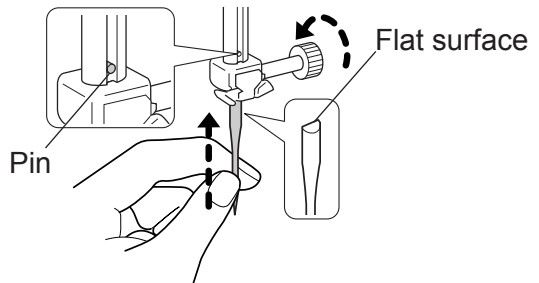


Note:

Do not remove the needle clamp screw. Loosen the needle clamp screw to remove the needle.

3 Face the flat surface of the needle to the rear and insert until it makes contact with the pin.

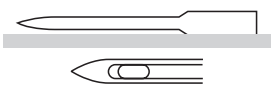
Firmly tighten the needle clamp screw with the screw driver for the needle plate.



● Correct needle selection

If a faulty needle is used, not only could it impair the sewing performance, but it could also damage the needle plate or hook, or break the needle.

○ Good needle



* Incorrect stitching or thread breaking, try replacing the needle.

× Faulty needle



The entire needle is bent




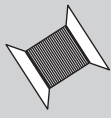

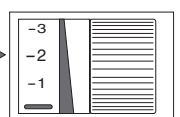
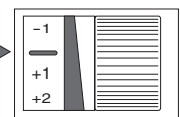
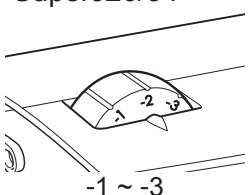
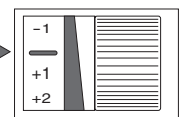
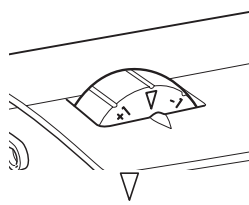
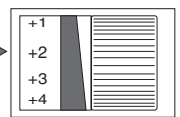
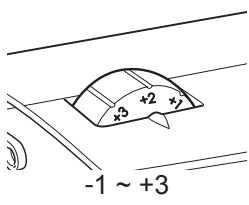
The point of the needle is crushed / worn away



The point of the needle is bent

Relationship between the needle, thread and fabric, and adjusting the thread tension

The quality of the sewing finish will improve if the needle and thread are changed to match the type of fabric. Follow the directions in the table below.

		Thin fabrics	Normal fabrics	Thick fabrics
Relationship between the needle, thread and fabric	 Needle	No. 11/75	No. 14/90	No. 16/100
	 Thread	Polyester No. 90 Cotton No. 80 to No. 120 Silk No. 80	Polyester No. 50 to No. 60 Cotton No. 60 to No. 80 Silk No. 50 to No. 80	Polyester No. 30 to No. 50 Cotton No. 40 to No. 50 Silk No. 50
	 Fabric	Normal back cloth Quipler Georgette Lawn Lace, etc.	Normal front cloth Broad Soft denim Satin Pile Gingham, etc.	Curtains Denim Quilting Fleece Tweed Felt, etc.
Reference thread tension	<p>● For XXX26C/XXX34C</p>  <p>-1 ~ -3</p> <p>● For XXX26D/34D/ SuperJ26/34</p>  <p>—</p>  <p>-1 ~ -3</p>	 <p>—</p> 	 <p>+1 ~ +3</p>  <p>-1 ~ +3</p>	

- Use a ball point needle for the sewing alignment of stretch fabric.
- Please purchase any needles not included as accessories, after checking they are specified as home-use sewing machine needles.
- Use the same kind of threads for upper/lower thread.
- The bigger the needle number is, the thicker the needle is, the bigger the thread number is, the thinner the thread is.
- Normally, sew with the upper thread tension dial set to “ — ” (for XXX26C/XXX34C) / “ ∇ ” (for XXX26D/34D/SUPERJ26/34).

3

Sewing

Straight stitching and reverse sewing

 Caution



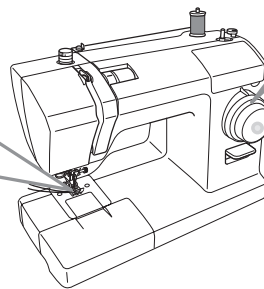
Do not pull the fabric excessively while sewing.
Doing so could break the needle and cause an injury.

● Straight stitch

1 Turn the handwheel towards yourself to raise the needle.

2 Turn the pattern selection dial to choose the pattern.
Set the stitch length dial between “1” and “4”.

Zigzag sewing foot
(Originally attached to
the sewing machine)



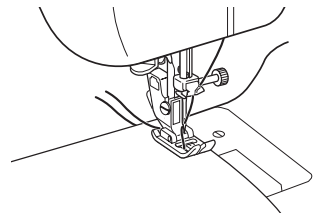
1~4

5

6

(For details on changing the presser foot,
refer to “Changing the presser foot” on page 26.)

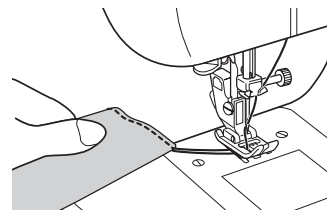
3 Position the fabric and lower the presser
foot lever.
Step on the foot controller to begin sewing.



● End of sewing

After sewing, turn handwheel towards
yourself until the needle is in the highest
position.

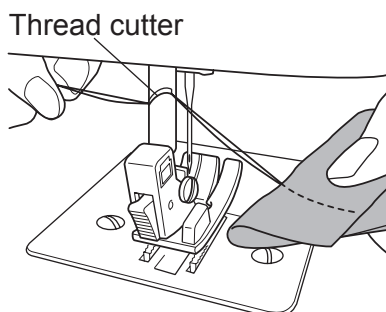
Raise the presser foot and pull out the fabric
to the rear.



● Thread cutter

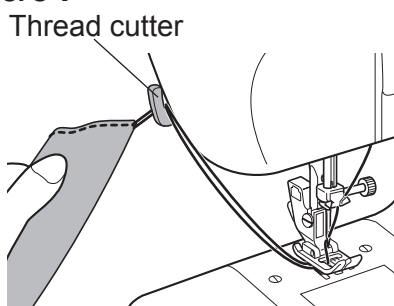
■ For model XXX26C/XXX34C

Line up the two threads, and cut them with the thread cutter on the presser bar.



■ For model XXX26D/34D/SuperJ26/34

Line up the two threads, and cut them with the thread cutter on the face cover.



● Reverse sewing

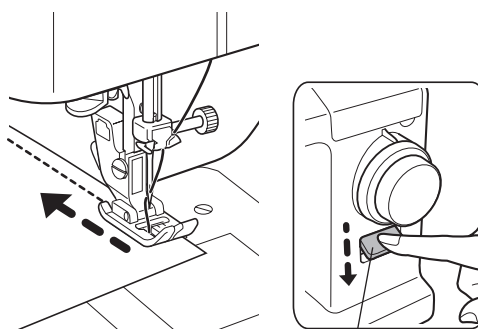
Reverse sewing is performed at the beginning and the end of sewing to prevent the thread from unraveling.

Reverse sewing is performed while pressing down the reverse sewing lever.

- Stitch 1 cm from the edge of the fabric to prevent unraveling at the start of sewing.
- Sew 3 to 4 reverse stitches at the end of sewing.

Note:

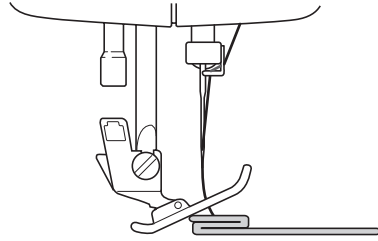
Remove your finger from the reverse sewing lever to return to forward direction sewing.



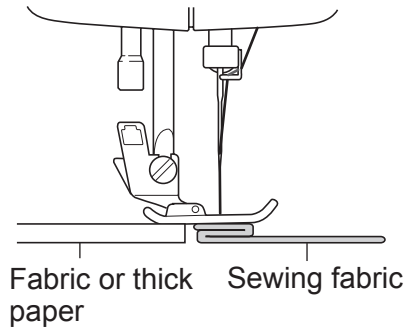
Reverse sewing lever

● Sewing thick fabric

When sewing over thick fabric, the presser foot may tilt and be unable to feed through the fabric.



Place fabric or thick paper of the same thickness as the fabric you wish to sew under the presser foot. This will enable smooth sewing.

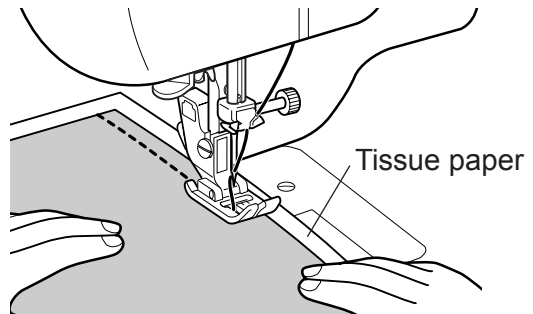


● Sewing thin fabric

When sewing thin fabric, sometimes fabric puckers or is not fed correctly.

At that time, sewing is easier if tissue paper is placed under the fabric.

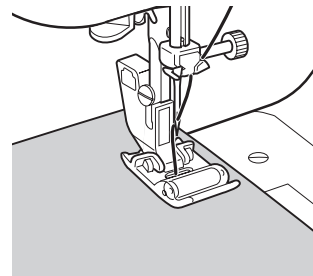
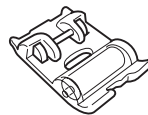
After sewing remove the paper carefully.



● Sewing hard-to-feed fabric

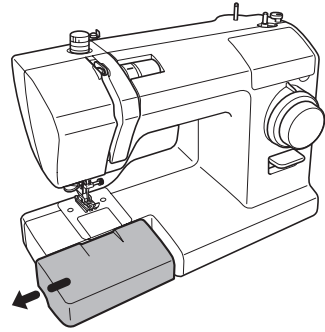
When sewing hard-to-feed fabric, such as leather, use the roller foot.

* The roller foot is only included with model XXX34C/34D/SuperJ34.

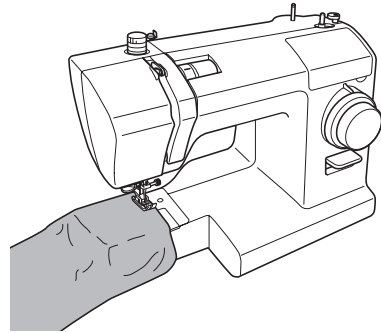


● Sewing tube-shaped fabrics

- 1** Pull out the extension table (accessory box) in the direction of the arrow.



- 2** Sew tube-shaped fabrics such as trousers or sleeves, by pulling them over the machine free arm as shown in the diagram.



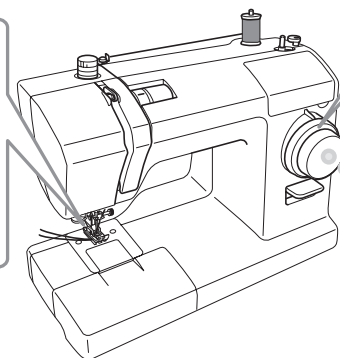
Zigzag sewing

There are various zigzag applications, such as applique and overcasting.

1 Turn the handwheel towards yourself to raise the needle.

2 Turn the pattern selection dial to choose the pattern.
Set the stitch length dial between “0.5” and “4”.

Zigzag sewing foot
(Originally attached to
the sewing machine)



0.5~4

14



2.5

15

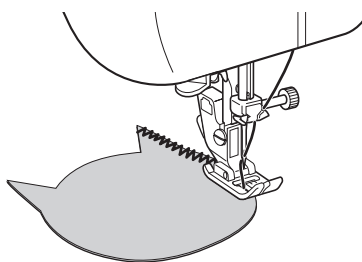


5.0 mm

(For details on changing the presser foot, refer to “Changing the presser foot” on page 26.)

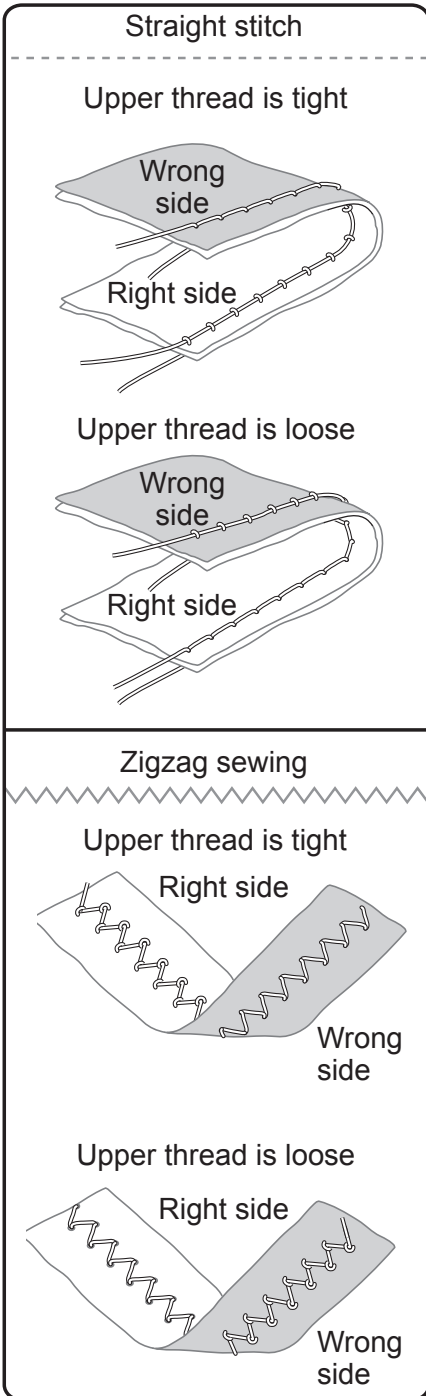
3 Position the fabric and lower the presser foot.

Step on the foot controller to begin sewing.



Adjusting thread tension

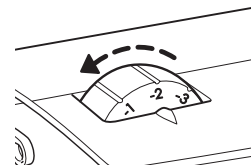
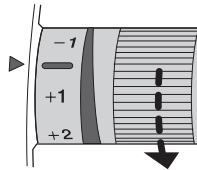
● Adjustment method for upper thread tension



- Upper thread is tight

Model XXX26C
XXX34C

Model XXX26D/SuperJ26
XXX34D/SuperJ34

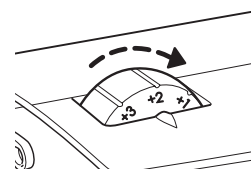
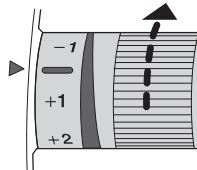


Lower the upper thread tension.

- Upper thread is loose

Model XXX26C
XXX34C

Model XXX26D/SuperJ26
XXX34D/SuperJ34



Increase the upper thread tension.

Note:

If the tension does not change even when you adjust the upper thread tension, thread the upper thread and lower thread again.

Buttonhole sewing

Buttonhole sewing to match the size of the button is possible.
For stretch fabric or thin fabric, it is recommended to use a stabilizer for a better buttonhole finish.

! Caution



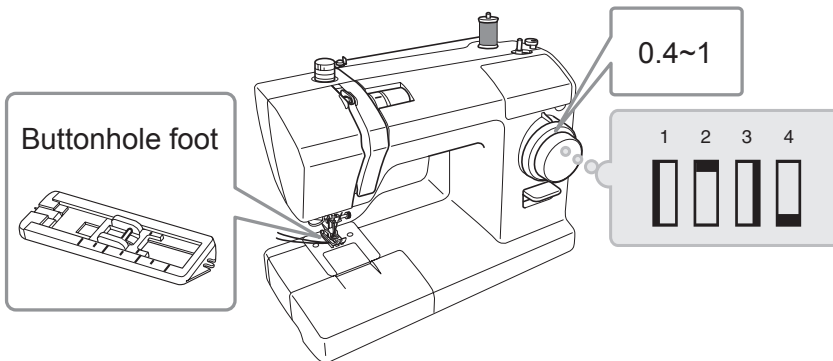
Before changing the presser foot, use the main power switch to turn off the sewing machine.

Not doing so could cause an injury.

1

Change to the buttonhole foot.

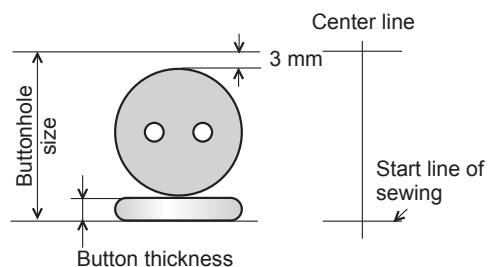
Set the stitch length dial between “0.4” and “1”.



(For details on changing the presser foot, refer to “Changing the presser foot” on page 26.)

2

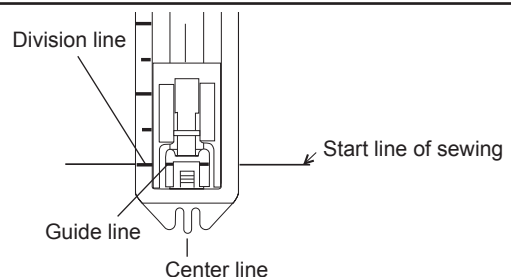
Set the buttonhole size and mark lines on the fabric.



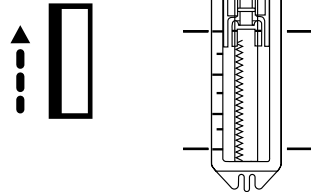
(Button diameter+button thickness+3mm)

3

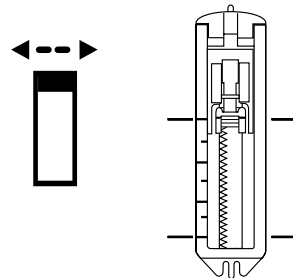
Align the buttonhole foot division line closest to you with the guide line, and lower the presser foot to the start line of sewing on the fabric.



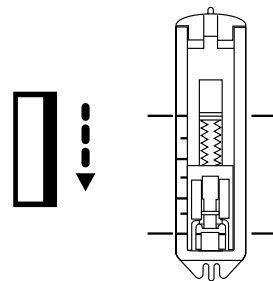
4 Raise the needle to the highest position, set the pattern dial to “1”, sew the left side and stop at the line marked on the fabric.



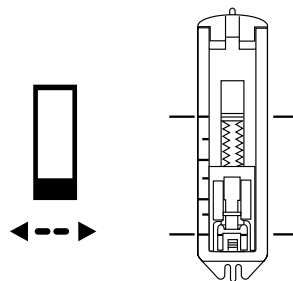
5 Raise the needle to the highest position, set the pattern dial to “2”, and sew 5 to 6 bar-tack stitches. “2” and “4” on the pattern selection dial use the same dial position.



6 Raise the needle to the highest position, set the pattern dial to “3”, sew the right side and stop at the line marked on the fabric.



7 Raise the needle to the highest position, set the pattern dial to “4”, and sew 5 to 6 bar-tack stitches.



⚠ Caution



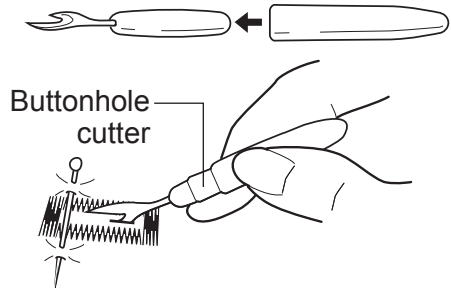
When using the buttonhole cutter to cut the buttonholes, do not hold the fabric in front of the cutter. Doing so could cause an injury to your hand.

8

Use the buttonhole cutter to cut the center, making sure not to cut the stitches.

Note:

If a marking pin is put in the bar-tack area it helps to prevent cutting the bar-tack with the buttonhole cutter.

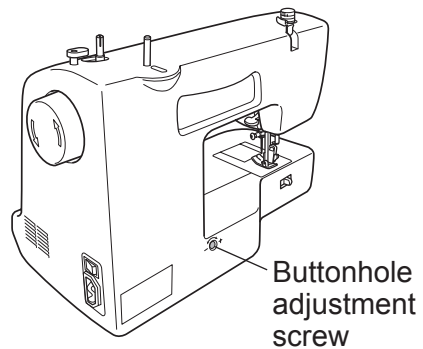


● Adjustment of buttonhole balance

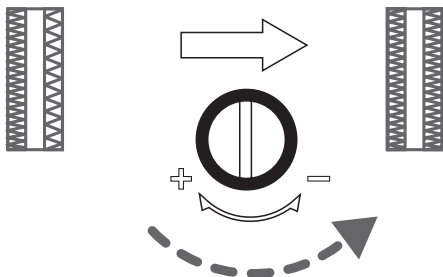
- Use the buttonhole adjustment screw to adjust the balance between the stitches (rear side).
- Adjust by turning with the ⊖ screw driver of your own.
- Don't turn the screw more than 90°.

Note:

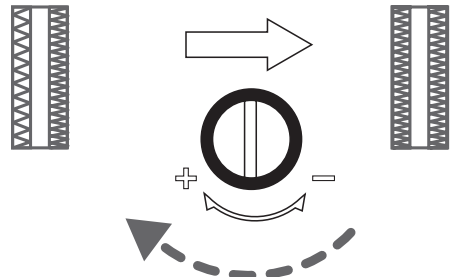
The original position of buttonhole adjustment screw may vary according to the model of machine.



If the stitches are loose on the right side of the buttonhole, turn slightly in the “-” direction.



If the stitches are loose on the left side of the buttonhole, turn slightly in the “+” direction.



Overcasting

This is a sewing method that prevents unraveling at the edge of the fabric.

! Caution



Before changing the presser foot, use the main power switch to turn off the sewing machine.

Not doing so could cause an injury.

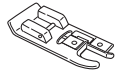
- 1 Change to the zigzag sewing foot or the overcasting foot. Set the stitch length dial between "1" and "4".

Note:
Select pattern No.10 when sewing thin fabric.

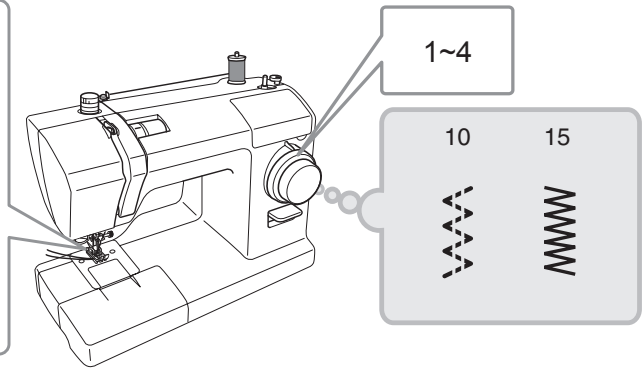
Zigzag sewing foot



Overcasting foot



* The overcasting foot is only included with model XXX34C/34D/SuperJ34.

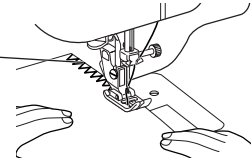


(For details on changing the presser foot, refer to "Changing the presser foot" on page 26.)

- When using the zigzag sewing foot

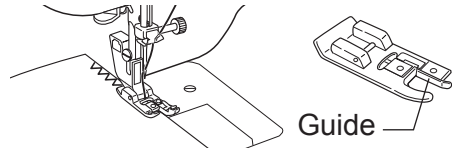
- 2 Position the fabric so that the needle extends slightly off the edge of the fabric when the needle moves to the right.

Right needle entry point



- When using the overcasting foot

- 2 Sew with the edge of the fabric against the guide on the foot.



! Caution



Do not use stitch number 10 with the overcasting foot.

Doing so may cause the needle to hit the presser foot and break or cause injuries.

Zipper insertion

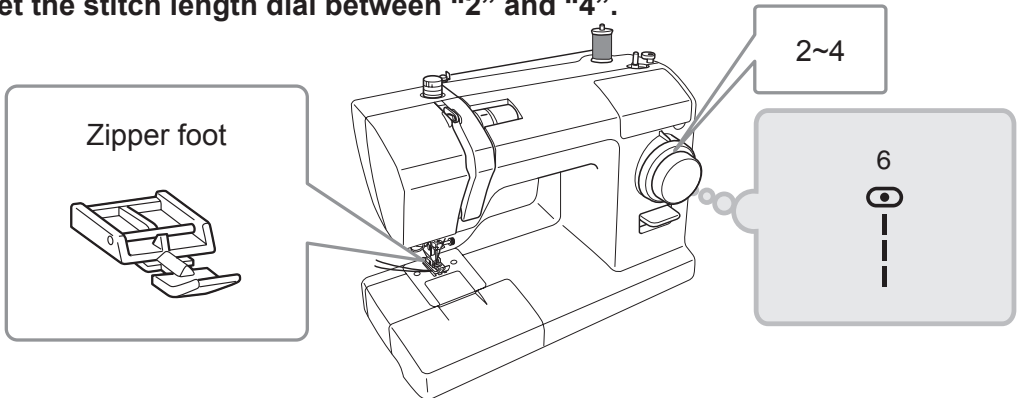
⚠ Caution



Before changing the presser foot, use the main power switch to turn off the sewing machine.
Not doing so could cause an injury.

1

Change to the zipper foot.
Set the stitch length dial between “2” and “4”.

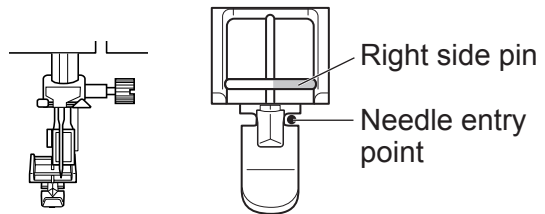


(For details on changing the presser foot, refer to “Changing the presser foot” on page 26.)

● Sewing the left side of the zipper

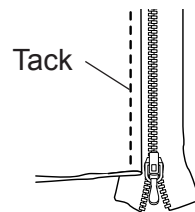
2

Set the right side pin of the zipper foot to the presser foot holder.



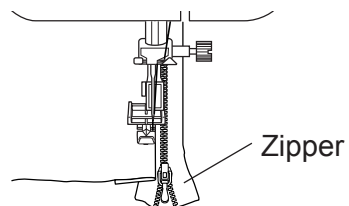
3

Align the zipper and the fabric, and tack.

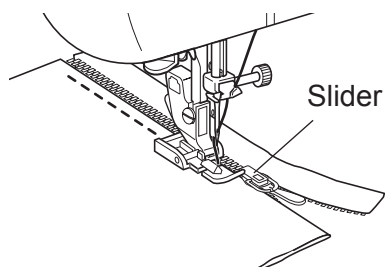


4

Position the fabric so that the zipper is on the right side of the presser foot.



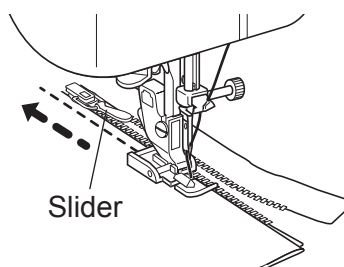
- 5** Sew until just before the presser foot makes contact with the slider, and then stop the sewing machine.



- 6** Turn the handwheel towards yourself to lower the needle into the fabric.

- 7** Raise the presser foot.

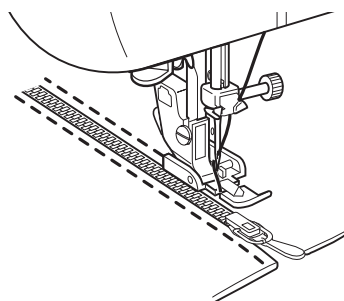
- 8** Move the slider to the rear of the presser foot, and finish the sewing.



● Sewing the right side of the zipper

- 9** Release the presser foot and set to the left side pin. Sew the right side of the zipper using the same procedures as for the left side.

Note:
Sewing in the same direction as the left side will help prevent sewing misalignment.



Blind hem stitching

In this sewing method the stitch cannot be seen on the front of the fabric.

⚠ Caution



Before changing the presser foot, use the main power switch to turn off the sewing machine.

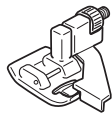
Not doing so could cause an injury.

- 1** Change to the zigzag sewing foot or the blind stitch foot. Set the stitch length dial between "1" and "2".

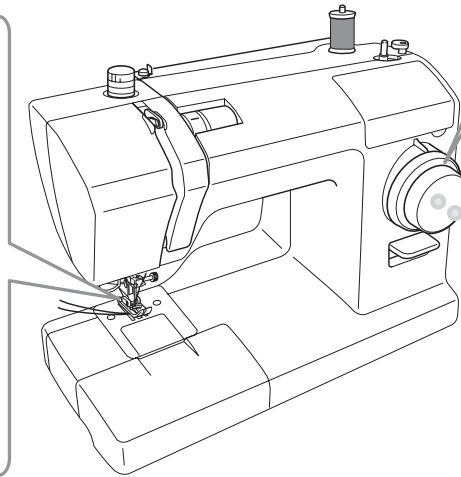
Zigzag sewing foot



Blind stitch foot



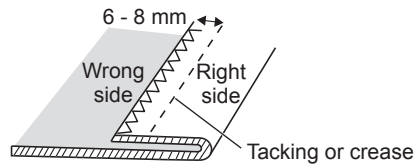
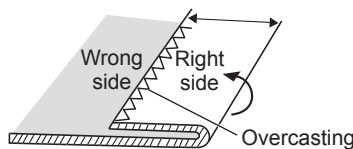
* The blind stitch foot is only included with model XXX34C/34D/ SuperJ34.



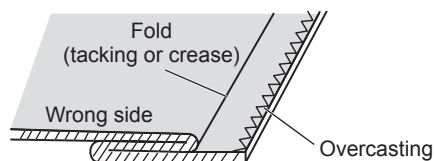
(For details on changing the presser foot, refer to "Changing the presser foot" on page 26.)

- 2** Sew overcasting along the edge of the fabric, and then fold the fabric as shown.

* Tack or iron a crease 6 to 8 mm from the edge of the fabric.

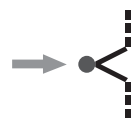


- 3** At the tacking or the crease that was ironed, fold back the fabric so that wrong side faces upward.

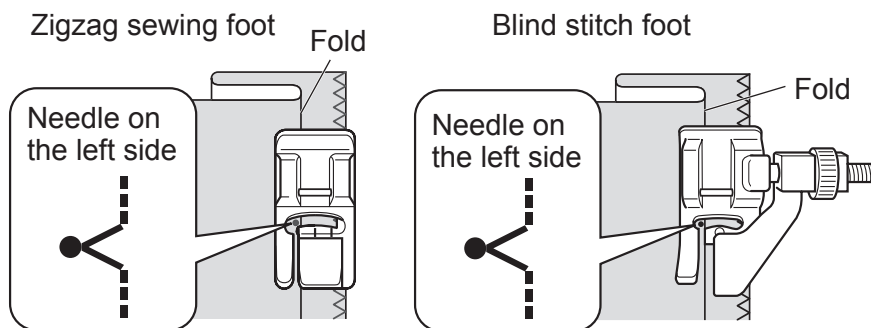


- 4** Turn the handwheel towards yourself until the needle is on the left side.

Needle on the left side →

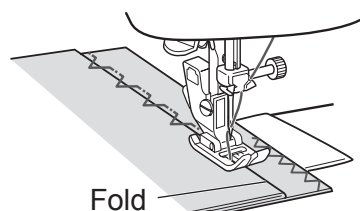


5 Position the fabric so that the needle slightly catches the fold.



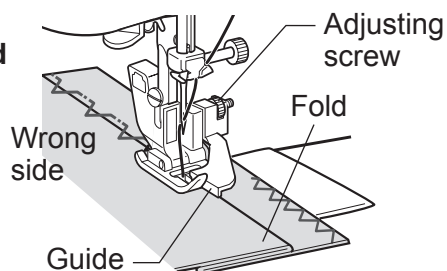
- When using the zigzag sewing foot

6 Lower the presser foot, and start sewing. The part of the stitch that catches the fold will be visible from the right side of the fabric. Sew evenly so that the stitching is not too large or too small.



- When using the blind stitch foot

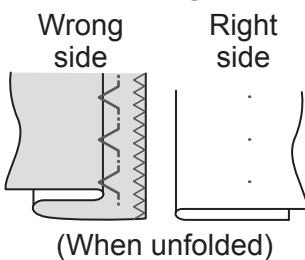
6 Lower the presser foot, adjust the screw so that the fold aligns with the guide, and then sew with the fold against the guide.



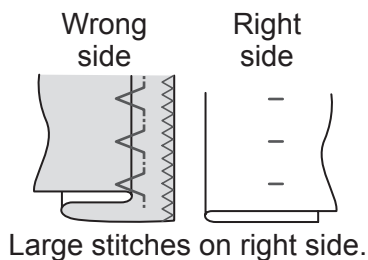
7 After sewing, pull out the tacking, and fold out the fabric.

■ Balanced stitches ■ Troubleshooting

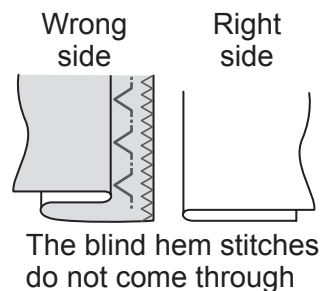
Small stitches evenly located on right side.



Needle catches too much on the fold



Needle does not catch on the fold



4

Maintenance

Cleaning and maintenance must not be made by children without proper supervision.

Feed dog and hook maintenance

If the sewing machine makes a loud noise or rotates slowly, there could be thread waste or dust in the hook or feed dog. Perform maintenance on the hook and the feed dog.

! Caution



Before cleaning the hook, use the main power switch to turn off the sewing machine, and then remove the power plug from the outlet.
Not doing so could cause an injury.

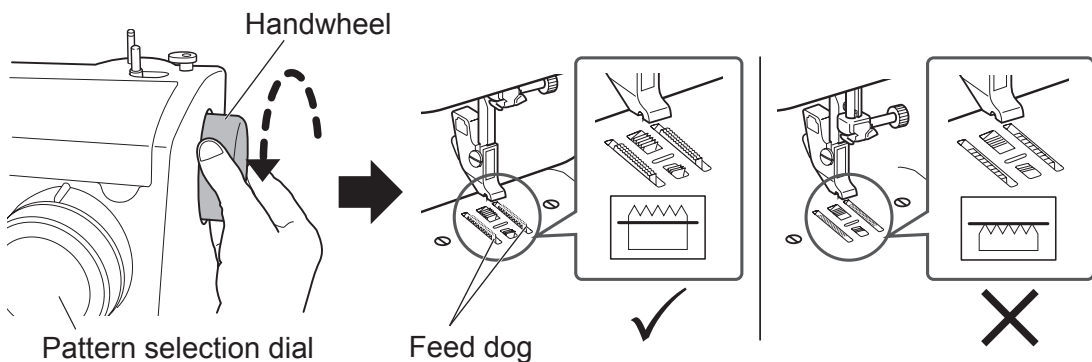
Attention

Do not use detergent, bleach, benzine, or thinner chemical cloths.
Doing so could cause discoloration or cracking.

● Cleaning the feed dog and hook

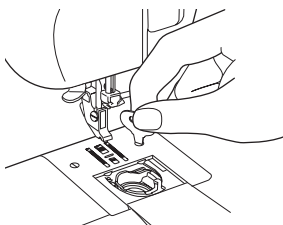
1

Remove the presser foot and the needle.
Turn the pattern selection dial to "6", and then turn the handwheel towards yourself to raise the feed dog.



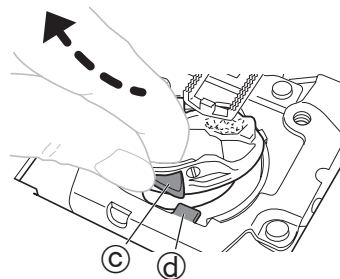
2

Use the screwdriver for the needle plate to loosen the screws in the needle plate, and then remove the needle plate.



3

Lift up the bobbin case so that part ③ is moved past part ④, as shown.

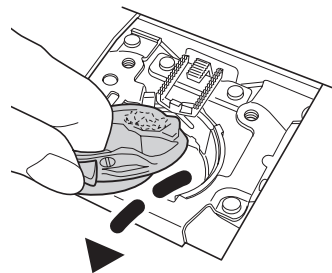


4 Pull out the bobbin case in the direction of the arrow to remove it.

Note:
Do not pull with excessive force, otherwise the bobbin case may be scratched.

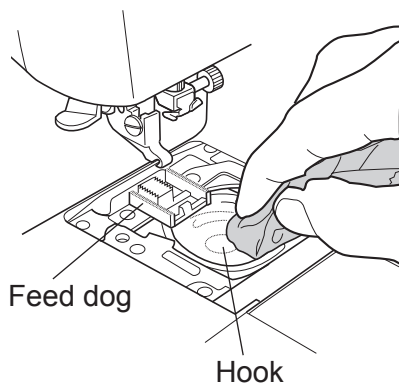
* If the bobbin case cannot be pulled out, repeat the procedure starting with step

3.



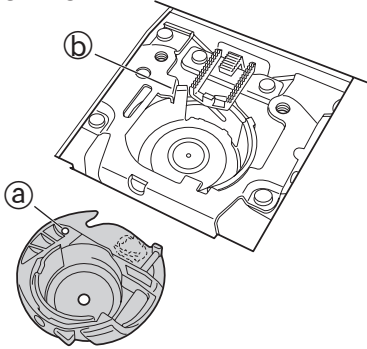
5 Remove any lint or dust from the feed dog and hook, and then wipe them with a soft cloth.

A vacuum cleaner can be used to remove lint and dust.

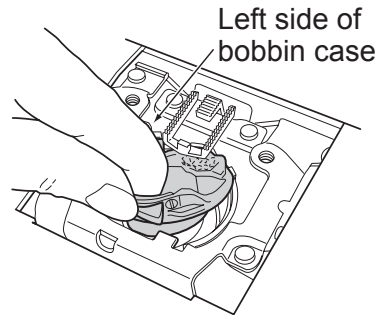


● Attaching the Bobbin Case

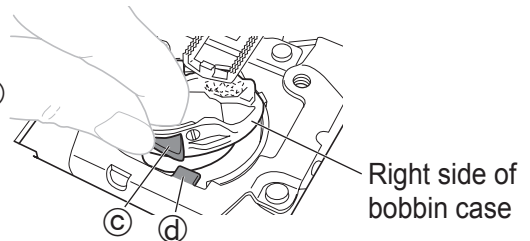
- 1** Position the bobbin case so that part **a** on the bobbin case is below part **b** on the sewing machine.



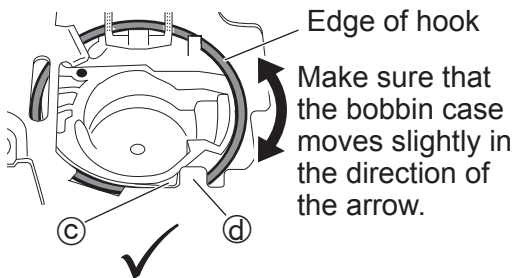
- 2** With the bobbin case tilted to the left, insert the left side of the bobbin case into the hook, as shown.



- 3** Insert the right side of the bobbin case into the hook so that part **c** on the bobbin case is to the left of part **d** on the sewing machine.

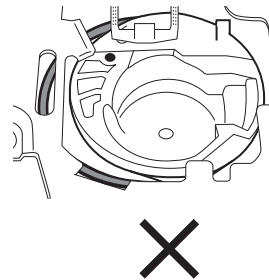


- 4** Make sure that the bobbin case is fully installed in the hook.



<When correctly installed>

- The entire bobbin case fits into the hook so that the edge of the hook is visible.
- Part **c** on the bobbin case is to the left of part **d** on the sewing machine.



<When incorrectly installed>

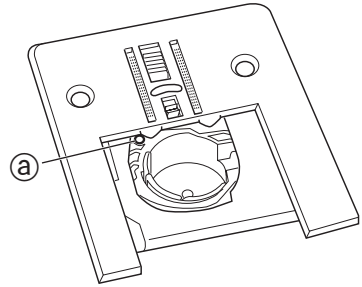
- The right side of the bobbin case covers the edge of the hook and the bobbin case is tilted.

Note:

Carefully check the bobbin case since it may be incorrectly installed even though part **c** of the bobbin case is to the left of part **d** on the machine, as shown in the above diagram on the right.

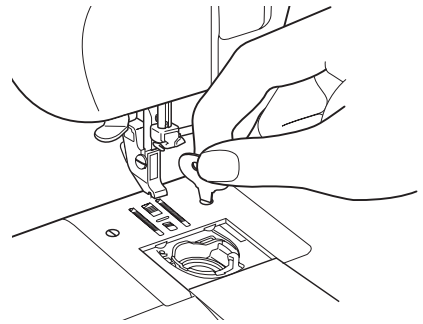
5

Attach the needle plate with red mark **a on the bobbin case positioned as shown in the diagram.**

**6**

- ① **Tighten the needle plate screws.**
- ② **Attach the presser foot and insert the needle.**
- ③ **Check that the needle correctly enters the hole in the needle plate.**

* If the bobbin case is not installed correctly, the handwheel does not turn smoothly. If this occurs, remove the needle plate and bobbin case, and attach them again.

**4****Maintenance**

Changing light bulb

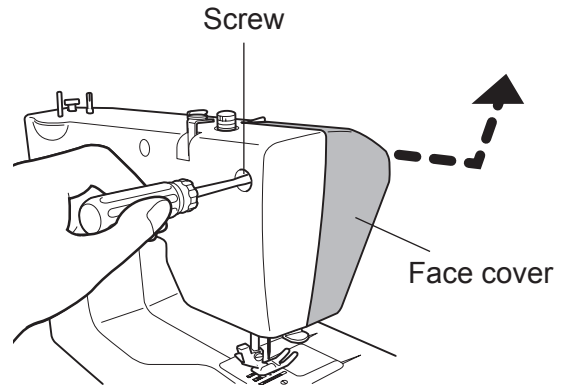
⚠ Warning



Before changing the light bulb, use the main power switch to turn off the sewing machine, remove the power plug from the outlet, and then wait until the bulb cools. Not doing so could cause a burn or electric shock.

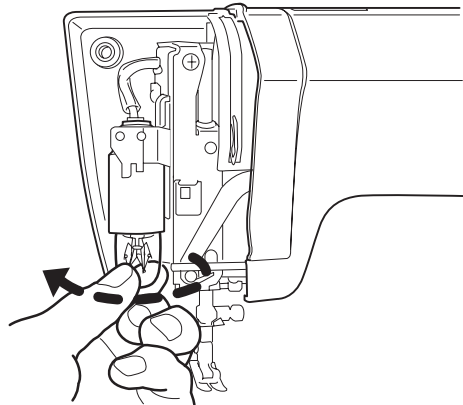
1

Loosen the screw with a ⊕ screw driver of your own, and take off the face cover in the direction of the arrow.



2

Turn the light bulb counterclockwise as the arrow in the diagram and remove.



3

Turn the new light bulb clockwise to install.

Note:
Use a light bulb with a maximum power of 15 W.

4

Always reinstall the face cover after replacing the light bulb.

Servicing double-insulated products (230V-240V)

In a double-insulated product, two systems of insulation are provided instead of grounding. No grounding means are provided on a double-insulated product nor should a means for grounding be added to the product. Servicing a double-insulated product requires extreme care and should only be done by qualified service personnel with knowledge of the system under his or her responsibility. Replacement parts for a double-insulated product must be identical to those parts in the product. The symbol is marked on the double-insulated product.

Notice about the incandescent lamp

The incandescent lamp fitted to our product is not suitable for household lighting and is specifically designed for the lighting of the sewing machine sewing area.

Troubleshooting

What is the problem? Check the following possibilities before contacting the service center for repair.

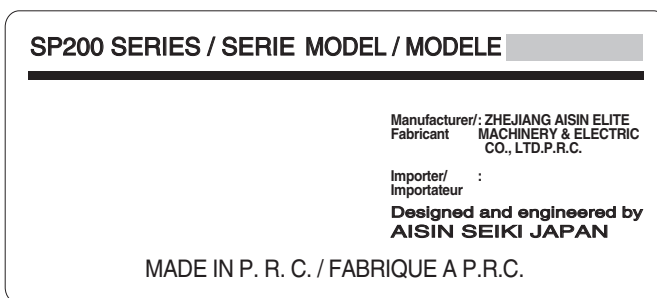
Trouble	Cause	Countermeasure	Page
Machine does not work	The power plug is not inserted	Connect the power plug correctly	12
	The main power switch has been turned off	Turn on the sewing machine	12
	Thread is tangled in the hook, or there is a broken needle in the hook	Clean the hook	44
	The thread winding spindle has been pushed to the right	Push the thread winding spindle to the left	14
Machine very noisy & very slow	There is lint or fluff in the hook or feed dog	Remove the lint or fluff from the hook or feed dog	44
Needle keeps breaking	Needle incorrectly inserted into the machine	Insert the needle correctly	28
	The needle clamp screw is loose	Firmly tighten the screw	28
	The needle is too fine for the fabric	Use the appropriate size needle for the fabric	29
	The upper thread tension is too tight	Loosen the upper tension	35
	The bobbin case is not in the correct position	Put the bobbin case in the correct position	46
Upper thread keeps Breaking	Machine is incorrectly threaded	Rethread the sewing machine	16-19
	The thread is tangled in the bobbin case or hook	Remove the thread tangle and clean the feed dog and hook	44
	The upper thread tension is too tight	Loosen the upper tension	35
	The needle is bent or the needle point is burred	Insert a new needle	28
	The needle is incorrectly inserted	Insert the needle correctly	28
	The thread is a poor quality thread	Use a good quality, recommended thread	—
Lower thread keeps breaking	Lower thread is incorrectly threaded	Rethread the bobbin case	16, 17

Trouble	Cause	Countermeasure	Page
Fabric not feeding through the machine	The feed dog is dirty	Remove any lint and fluff from the feed dog	44
	Pattern selection dial set to a buttonhole number – “2” or “4”.	Reset the stitch selection dial to the desired stitch	23
	The feed dog is lowered	Raise the feed dog	8
	The stitch length dial is set to “0”	Adjust the stitch length dial	23-25
	The stitch length is too short	Adjust the stitch length dial to an appropriate setting	23-25
	The presser foot pressure is too light	Increase the presser foot pressure	8
Missed stitches	The needle is incorrectly inserted	Insert the needle correctly	28
	The needle is bent	Use a straight needle	28
	Needle and thread not suitable for the fabric	Use the correct needle and thread for the fabric	29
	Incorrect upper threading	Rethread the upper thread correctly	18, 19
The fabric wrinkles / puckers	The tension of the upper thread is too tight	Adjust the thread tension	35
	The machine is incorrectly threaded	Rethread the machine	16-19
	Needle is too thick for the fabric	Use a finer needle to suit the fabric	29
	The needle is burred	Insert a new needle	28
	Stretch fabric is being sewn	Use the ball point needle	29
Lower thread showing on the top of the fabric	Incorrect bobbin threading	Rethread the bobbin correctly	16, 17
	The tension of the upper thread is too tight	Adjust the thread tension	35
	Incorrect plastic bobbin used or a metal bobbin is used	Only use the designated TOYOTA bobbin	14
Upper thread showing on the under side of the fabric	The tension of the upper thread is too loose	Adjust the thread tension	35
	Incorrect upper threading (not threaded through the thread guide)	Rethread the upper thread correctly	18, 19

Trouble	Cause	Countermeasure	Page
Unable to sew stretch stitches	The stitch length dial is not set to setting "A – K" or "L – S"	Set the stitch length dial to the appropriate setting	23-25
	The stitch length dial and the stitch pattern selection dial settings do not correspond	Select the same setting on the stitch length dial and the pattern selection dial	23-25
The needle cannot be threaded with the needle threader	The needle position is too low	Turn the handwheel so that the line is at the top	9
	Needle no. 9/65 is being used	Use needle sizes 11/75 to 16/100	29
	Needle incorrectly inserted	Insert the needle correctly	28
	The needle is bent	Use a straight needle	28
	Threading of the needle bar thread guide incorrect	Rethread the needle bar thread guide correctly	18

If the above treatments do not solve the problem, contact the service center as described in your warranty.

When calling for service, please note the MODEL and SERIES that are inscribed on the back of your sewing machine.



Recycling

EU ONLY



DO NOT THROW AWAY!

We are committed to the protection of the environment. We strive to minimize the environmental impact of our products by continuously improving product design and our manufacturing methods.

At end of life please dispose of this product in an environmentally responsible way.

The crossed-out wheelee bin symbol featured above and on the product's data-plate means that this product falls under the scope of the E.U. "Waste Electrical and Electronic Equipment" (WEEE) directive and "Restriction of the Use of Certain Hazardous Substances in Electrical and Electronic Equipment" (ROHS) directive and should not be disposed of with your household waste. At end of life, you must ensure that this product is disposed of in accordance with national and local legislation and that it is sorted as Category 2 "Small Domestic Appliances" WEEE. You may be liable under local and national laws for improper disposal of this product. Please consult the web, or a competent national or local body, for the return and collections systems available to you and the locations of your nearest recycling points. If you purchase a new product direct from us we will take your old product back, irrespective of the brand, if it is a like for like sale.

As an individual you can make a positive impact on reuse, recycling and other forms of recovery of WEEE. This will reduce use of landfill and minimize the environmental impact of the products you use.

Hazardous substances in electronic and electrical products can have a harmful impact on human health and on the environment.

Specifications

SP200 Series

Model	XXX26C/XXX34C	XXX26D/34D/ SuperJ26/34
Hook type	Horizontal	
Needle	Home-use sewing machine needle (HA-1)	
Bobbin	TOYOTA-exclusive plastic bobbin	
Maximum stitch length	4 mm	
Maximum stitch width	5 mm	
Straight stitch needle position	Center needle position, left needle position	
Sewing machine weight (main unit)	5.0 kg	5.2 kg
Sewing machine size	Width: 412 mm Depth: 192 mm Height: 292 mm	Width: 410 mm Depth: 198 mm Height: 294 mm
Rated voltage	220 - 240V ~	
Rated frequency	50 Hz	
Rated power consumption	65 W	
Light bulb	15 W	

EU ONLY

Imported by / Importé par :

AISIN EUROPE S.A. Web: www.home-sewing.com

Head Office Avenue de l'Industrie 21, Parc Industriel, 1420 Braine-L'Alleud BELGIUM
TEL: +32 (0) 2 387 1817 FAX: +32 (0) 2 387 1995

UK Branch Unit 4, Swan Business Park, Sandpit Road, Dartford, Kent, DA1 5ED UK.
TEL: +44 (0) 1322 291137 FAX: +44 (0) 1322 279214

France Branch 70 chemin de la chapelle Saint Antoine 95300 Ennery, France
TEL: +33 (0) 1 34 30 25 00 FAX: +33 (0) 1 34 30 25 01

Holland Branch Energieweg 14, 2382 NJ Zoeterwoude (Rijndijk), THE NETHERLANDS
TEL: +31 (0) 71 5410251 FAX: +31 (0) 71 5413707

Austria Branch Donaufelder Straße 101/5/1, A-1210 Wien, AUSTRIA
TEL: +43 (0) 1 812 06 33 FAX: +43 (0) 1 812 06 33-11